



National Comfort Products

Thru-the-Wall Packaged Heating & Cooling



COMFORT PACK *Flex*

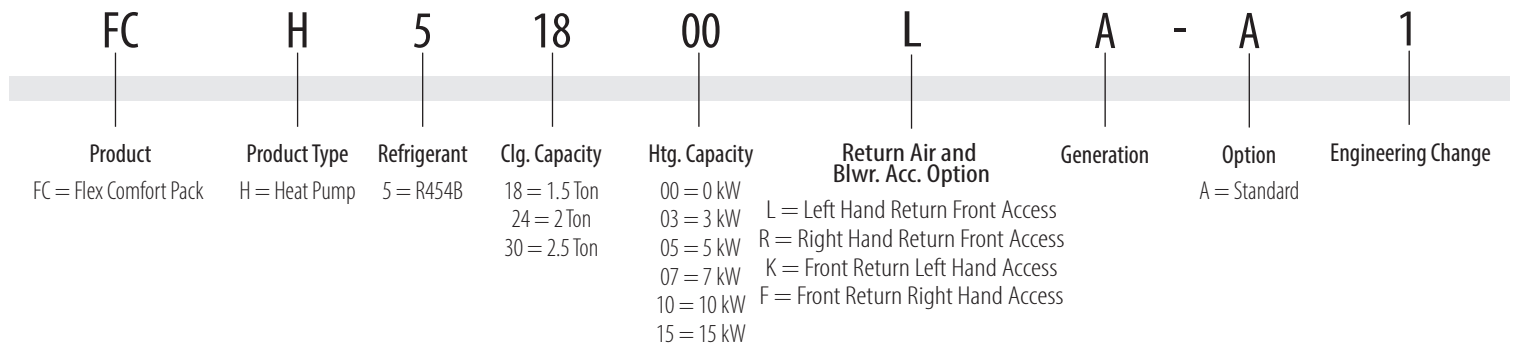
Thru-the-Wall Packaged Heat Pump

Go Thru-the-Wall

Website



Nomenclature 2026



Comfort Pack *Flex* Features

- Adjustable 5 Speed DC Indoor Motor
- Self-Contained Heat Pump with Single stage scroll compressor
- Precharged and Prewired
- Multiple Returns and Blower access options to meet different building layouts
- Complete Insulated cabinet to reduce thermal losses
- Various sizes of wall sleeves
- Refrigerant Leak detection system for occupants safety
- Separate Drain connection for Evaporator and condenser section

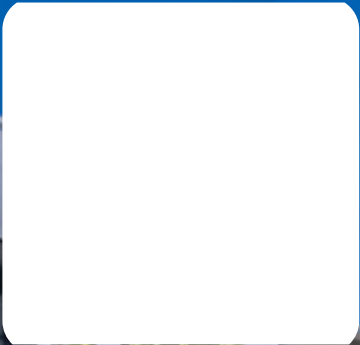
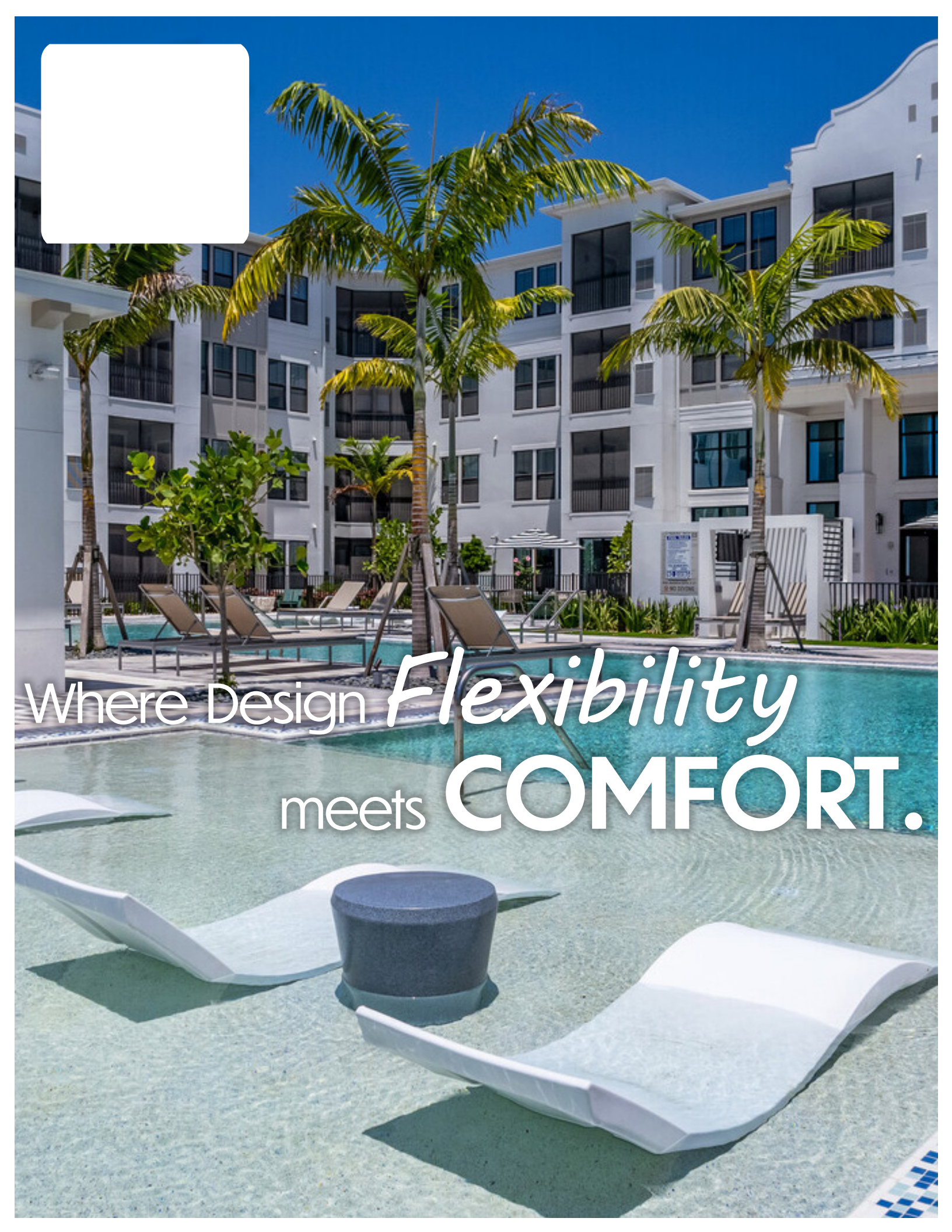
Heat Pump System

- Separate access for condenser and evaporator sections
- Easy access refrigeration service ports utilizing low loss coremax technology
- R454B High Efficiency Scroll Compressor
- 1.5, 2.0 and 2.5 Ton Cooling Capacities
- Separate TXVs for Cooling and Heat Pump operation in all models for optimum performance

Optional Heating

- Field installed heat kits up to 15KW Electric Auxiliary Heat
- 2 Stage Electric Heat with triac control board
- Internal automatic reset thermal limits
- Breaker protection





Where Design *Flexibility*
meets **COMFORT.**

Comfort Pack *Flex* Unit Information

Up to 14.3 SEER2 and 7.5 HSPF2

Model	Shipping Weight (Lbs.)	Compressor		MCA	MOP
		RLA	LRA		
FCH51800*A-A	250	7.2	47	14.8	20
FCH52400*A-A	250	9.0	63	17.1	25
FCH53000*A-A	250	12.5	67	21.4	30
Cond. Fan Motor Specs.	1/4 HP, 1075 RPM, 2.0 FLA				
Cond. Coil Specs	4.49 ft2 Face Area, 15 FPI				
Evap. Fan Motor Specs.	1/2 HP, 1050 RPM, 3.8 FLA				
Evap. Coil Specs	3.33 ft2 Face Area, 16 FPI				

Comfort Pack *Flex* Performance Data

Cooling Data - Up to 14.3 SEER2

Model	Nominal Tonnage	Rated Capacity ¹ (Btu/h)	Rated EER2	Nominal Airflow (SCFM) ²	Refrigerant Charge (Oz.)	SEER2
FCH51800*A-A	1.5	18,000	12	630	69	14.3
FCH52400*A-A	2.0	24,000	12	810	69	14.0
FCH53000*A-A	2.5	28,400	11.5	940	85	13.5

1. The cooling capacity are based of outdoor condition at 95°F DB and indoor condition at 80°F DB, 67°F WB
 2. The nominal Airflow values are from factory speed settings of the blower at 0.3" ESP.

Heating Data - 7.5 HSPF2

Model	Nominal Tonnage	Rated Capacity (47°F)(Btu/h)	Rated COP2	Rated Capacity (35°F)(Btu/h)	Rated COP2	Rated Capacity (17°F)(Btu/h)	Rated COP2	Rated Capacity (5°F)(Btu/h)	Rated COP2
FCH51800*A-A	1.5	17,000	3.5	13,000	2.8	9,800	2.2	8,000	1.7
FCH52400*A-A	2.0	23,000		17,800		14,600		11,000	
FCH53000*A-A	2.5	27,000		20,400		15,800		13,400	

Electric Heat Kit Information

Model	Nominal Tonnage	Heat Kit ¹	Heat Btu/h		Heating kW		Heating Amps	
			208V	230V	208V	230V	208V	230V
FCH51800*A-A	1.5	N/A	N/A	N/A	N/A	N/A	N/A	N/A
		CPEHK03	8,900	10,900	2.61	3.19	12.54	13.89
		CPEHK05	13,100	16,000	3.84	4.69	18.45	20.39
		CPEHK07	18,300	22,400	5.36	6.56	25.78	28.54
		CPEHK10	26,000	32,000	7.62	9.38	36.63	40.77
		CPEHK15	39,000	48,000	11.43	14.06	54.94	61.15
FCH52400*A-A	2.0	N/A	N/A	N/A	N/A	N/A	N/A	N/A
		CPEHK03	8,900	10,900	2.61	3.19	12.54	13.89
		CPEHK05	13,100	16,000	3.84	4.69	18.45	20.39
		CPEHK07	18,300	22,400	5.36	6.56	25.78	28.54
		CPEHK10	26,000	32,000	7.62	9.38	36.63	40.77
		CPEHK15	39,000	48,000	11.43	14.06	54.94	61.15
FCH53000*A-A	2.5	N/A	N/A	N/A	N/A	N/A	N/A	N/A
		CPEHK03	8,900	10,900	2.61	3.19	12.54	13.89
		CPEHK05	13,100	16,000	3.84	4.69	18.45	20.39
		CPEHK07	18,300	22,400	5.36	6.56	25.78	28.54
		CPEHK10	26,000	32,000	7.62	9.38	36.63	40.77
		CPEHK15	39,000	48,000	11.43	14.06	54.94	61.15

1. The Packaged heat pump comes with no electric from factory. Field installation electric heat kits are available to order separately.

Comfort Pack *Flex* Electrical Data

All units have a Voltage of 208/230-1-60

Model	Auxiliary Heat Kit	Compressor		Condenser Motor		Blower		Total Amps		MCA		MOP	
		RLA	LRA	HP	FLA	HP	FLA	208V	230V	208V	230V	208V	230V
FCH51800*A-A	N/A	7.2	47	1/4	2.0	1/2	3.8	13.0	13.0	14.8	14.8	20	20
	CPEHK03							16.4	17.7	20.5	22.1	25	25
	CPEHK05							22.2	24.2	27.8	30.2	30	35
	CPEHK07							29.6	32.4	37.0	40.5	40	45
	CPEHK10							40.5	44.5	50.7	55.6	60	60
	CPEHK15							38.8	42.6	49.1	54.0	50	60
FCH52400*A-A	N/A	9.0	63	1/4	2.0	1/2	3.8	20.4	22.3	24.6	27.0	25	30
	CPEHK03							14.8	14.8	17.1	17.1	25	25
	CPEHK05							16.4	17.7	20.5	22.1	25	25
	CPEHK07							22.2	24.2	27.8	30.2	30	35
	CPEHK10							29.6	32.4	37.0	40.5	40	45
	CPEHK15							40.5	44.5	50.7	55.6	60	60
FCH53000*A-A	N/A	12.5	67	1/4	2.0	1/2	3.8	18.3	18.3	21.4	21.4	30	30
	CPEHK03							30.9	32.2	21.4	22.1	30	30
	CPEHK05							36.7	38.7	27.8	30.2	30	35
	CPEHK07							44.1	46.9	37.0	40.5	40	45
	CPEHK10							55.0	59.0	50.7	55.6	60	60
	CPEHK15							49.0	52.8	49.1	54.0	50	60
							24.5	26.4	24.6	27.0	25	30	

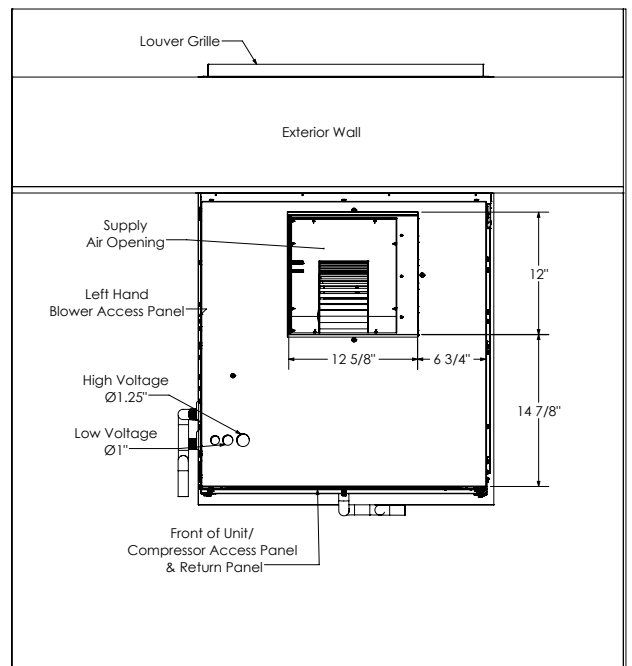
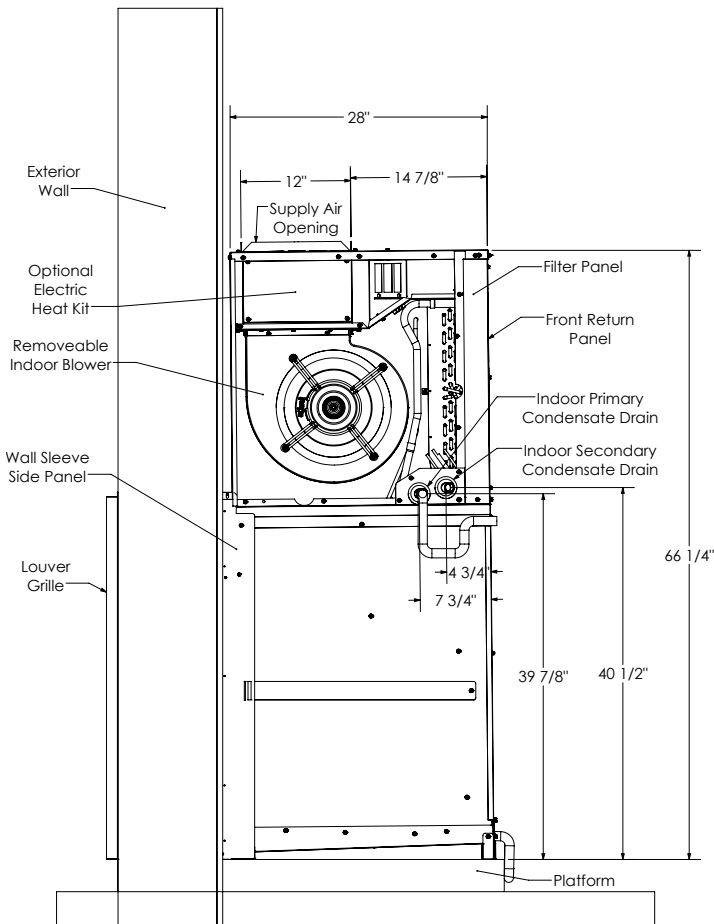
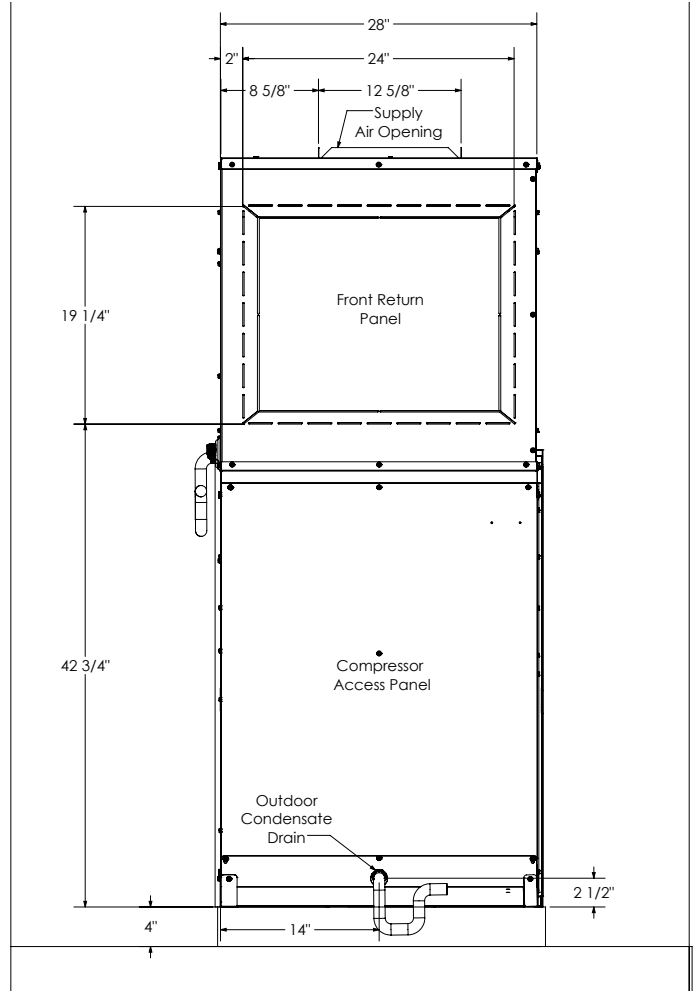
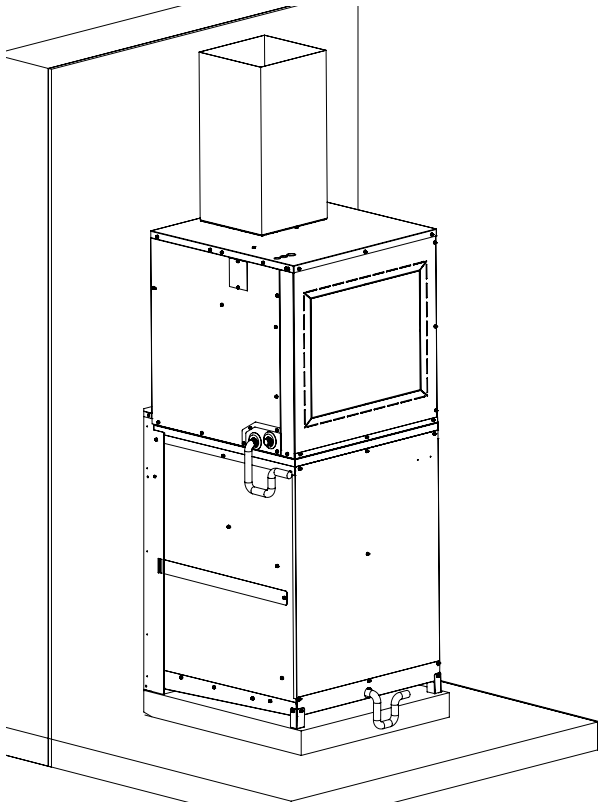
Comfort Pack *Flex* Air Flow Data

Model	Blower Speeds	ESP (in. wc) / SCFM1				
		0.1	0.2	0.3	0.4	0.5
FCH51800*A-A	Orange (low)	675	624	563	493	414
	Black (Med. Low)	719	648	588	539	501
FCH52400*A-A	Blue (Med.)	905	862	819	775	731
FCH53000*A-A	Yellow (Med. High)	1006	946	924	886	849
	Red (High)	1042	998	959	924	893

1. The airflow data is conducted with a filter at dry coil conditions.

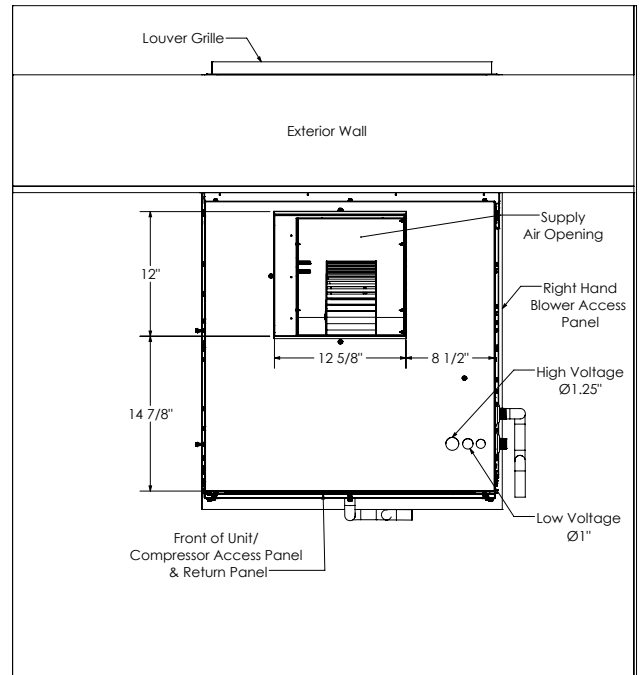
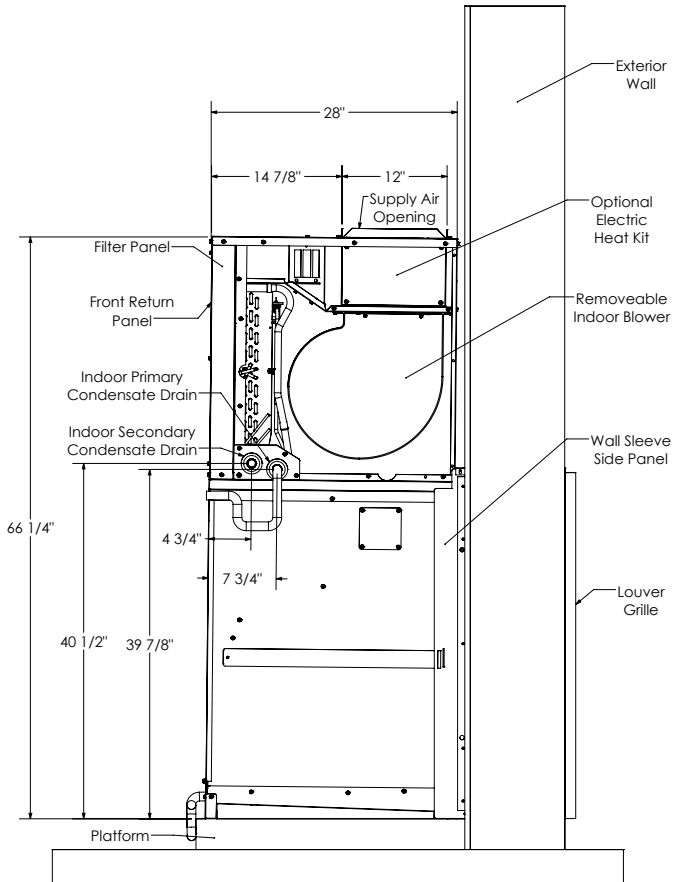
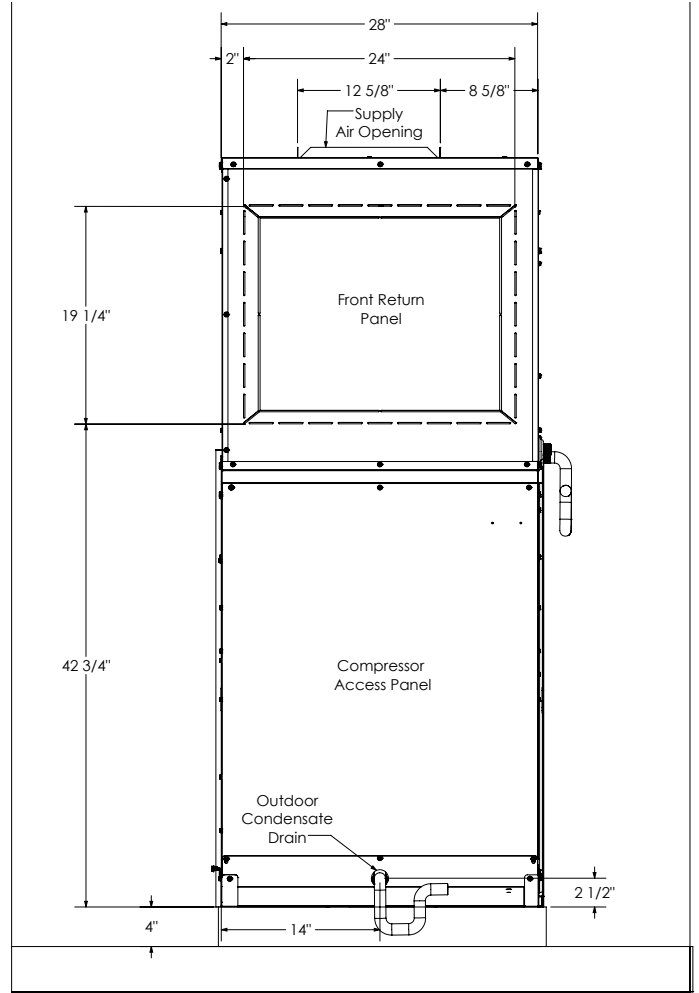
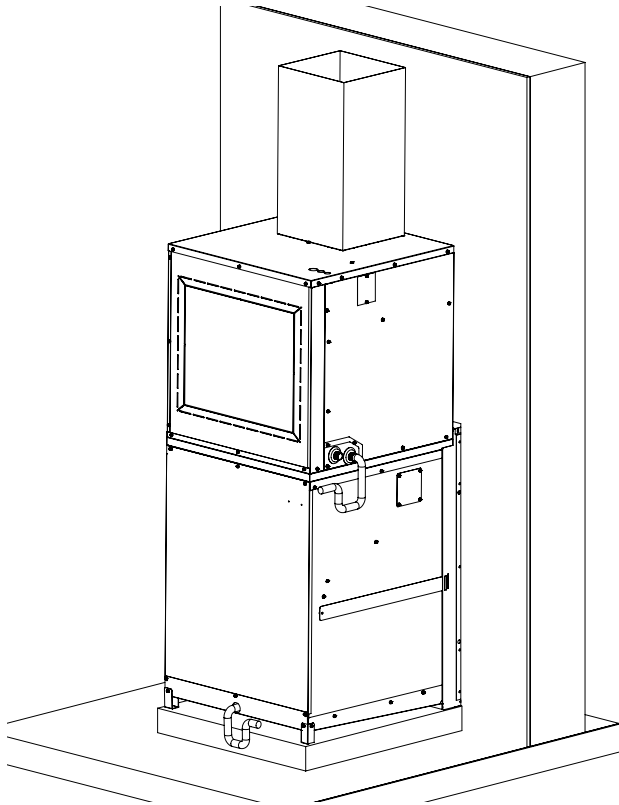
Comfort Pack *Flex* Unit Dimensions

Option K: Front Return Left Hand Access



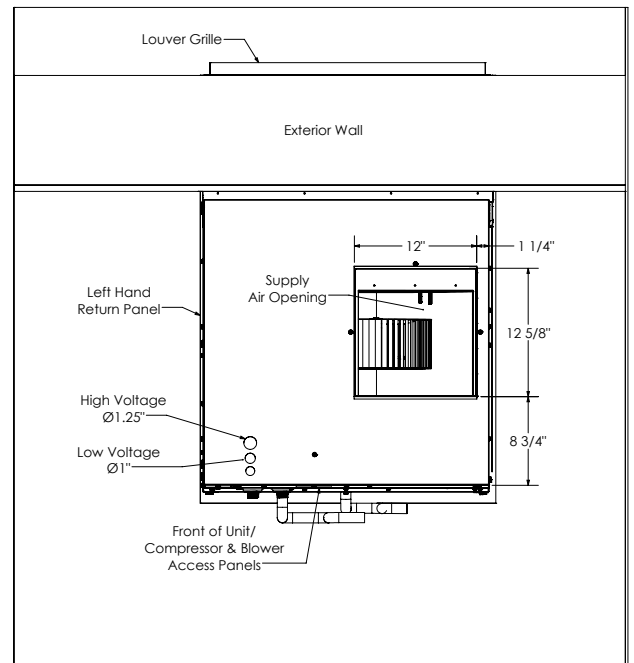
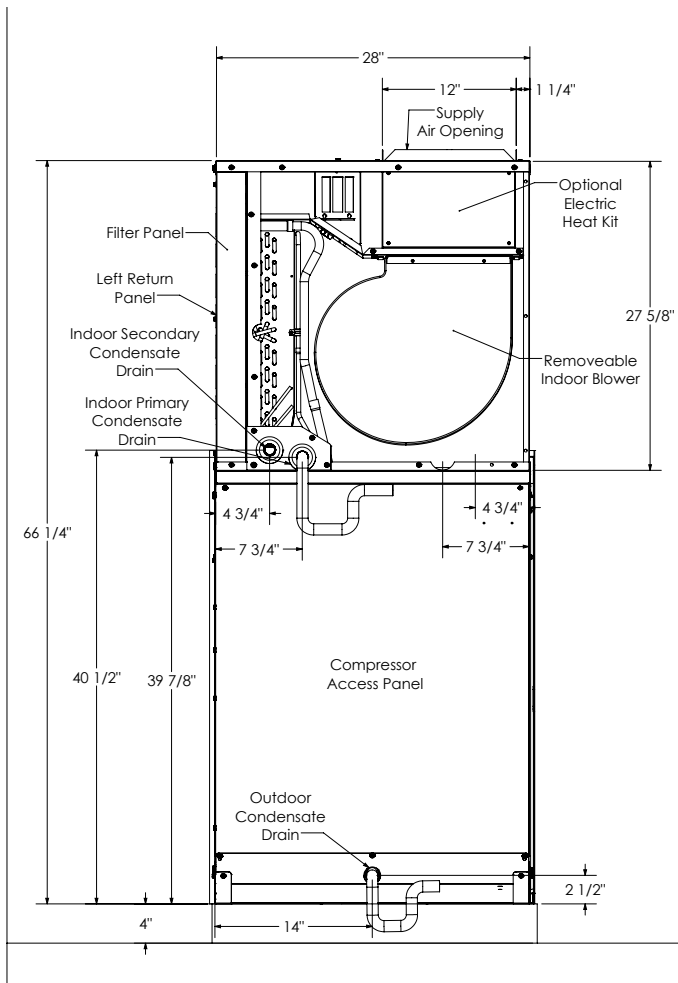
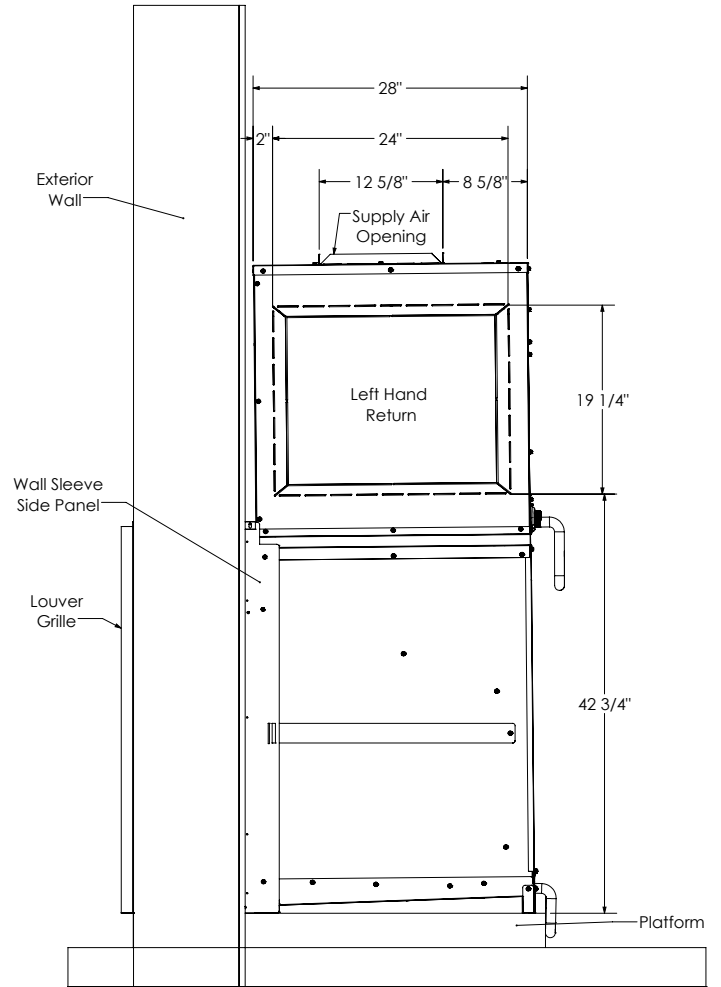
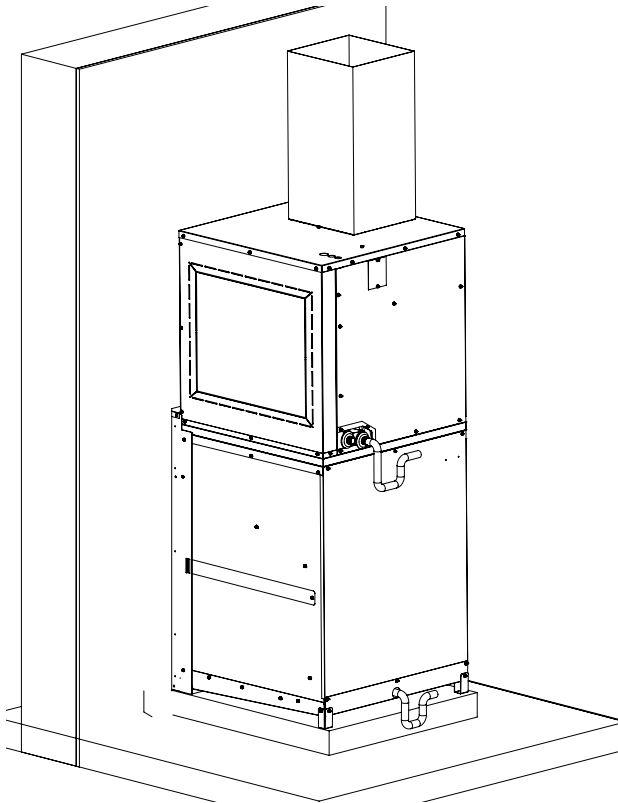
Comfort Pack *Flex* Unit Dimensions

Option F: Front Return Right Hand Access



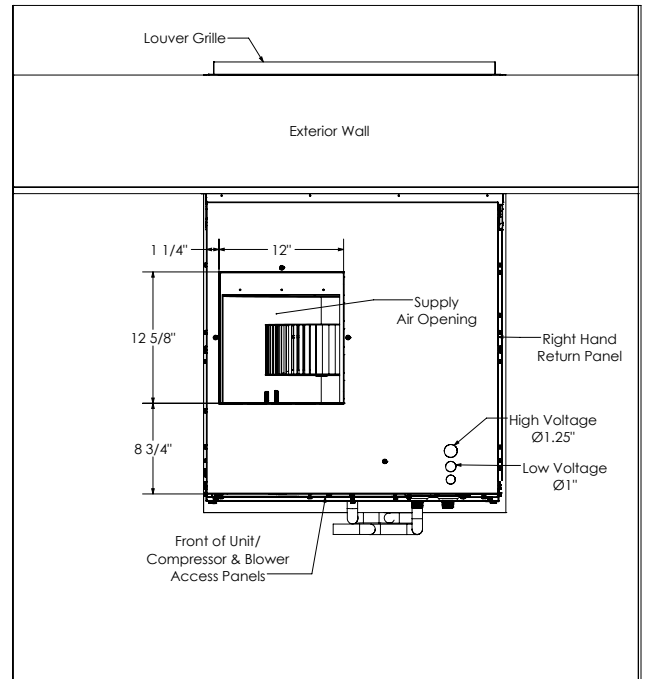
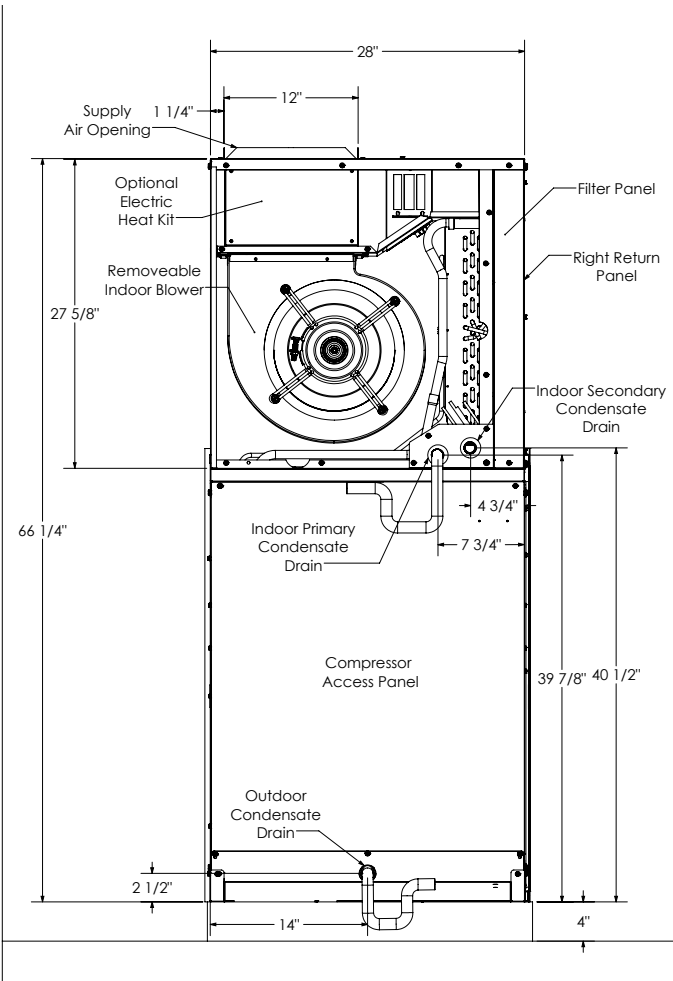
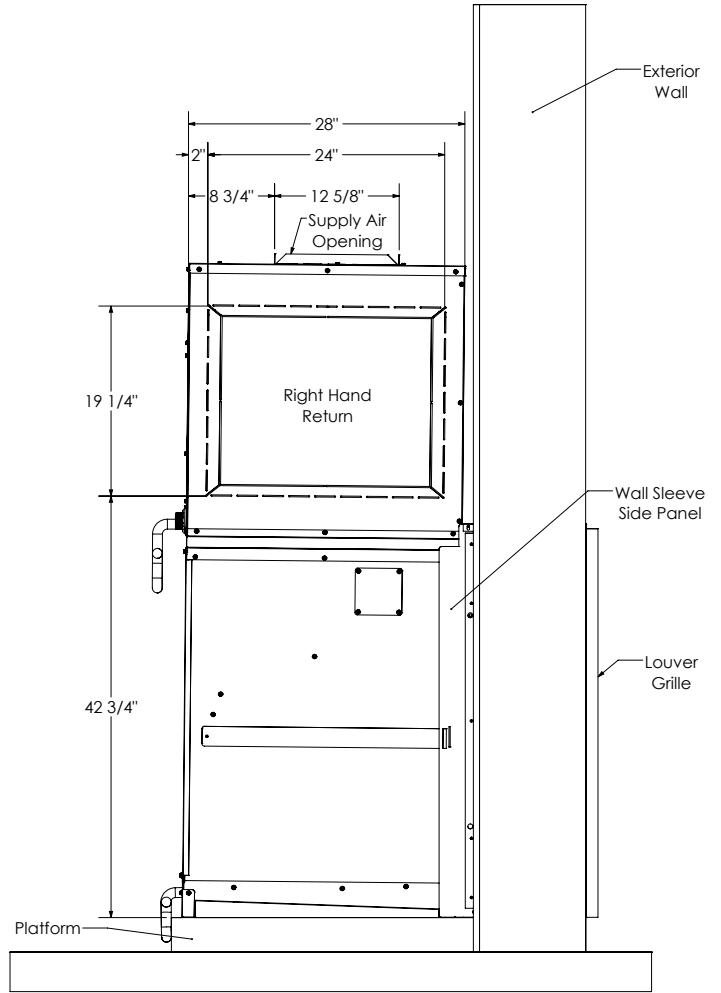
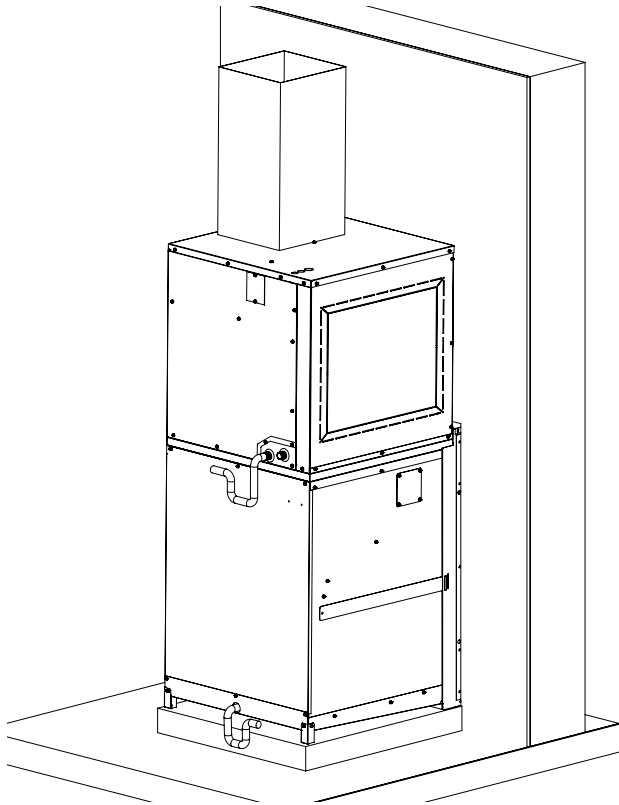
Comfort Pack *Flex* Unit Dimensions

Option L : Left Hand Return Front Access



Comfort Pack *Flex* Unit Dimensions

Option R : Right Hand Return Front Access



Comfort Pack *Flex* Closet Installation & Service Clearances

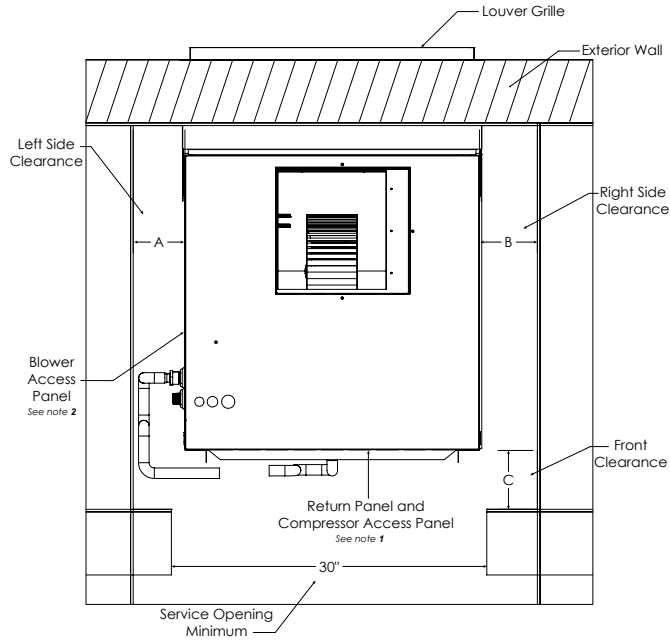
Front Return Left Hand Access Service Clearance

Rear Installation

A	B	C
5 1/4" ¹	1"	4" ¹

¹ If ductwork is attached to the return opening, additional clearance is necessary. Local codes must be adhered to.

² For servicing and maintenance, leave a minimum of 29" of unobstructed open area in front of the blower access panel.

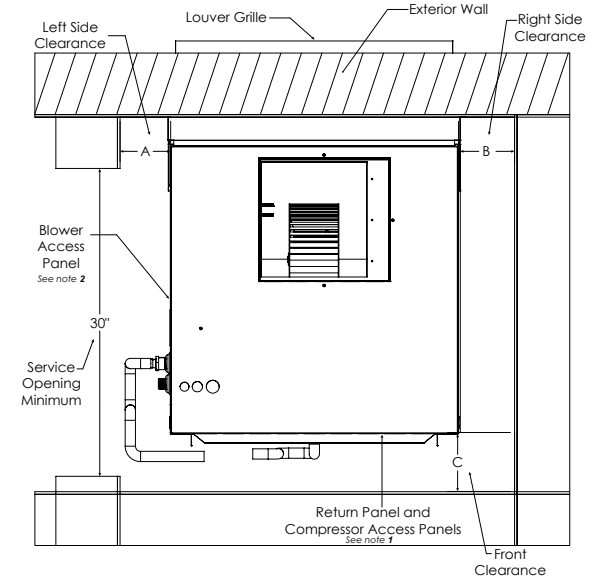


Side Installation

A	B	C
5 1/4" ¹	1"	12" ¹

¹ If ductwork is attached to the return opening, additional clearance is necessary. Local codes must be adhered to. For servicing and maintenance for compressor, leave a minimum of 30" of unobstructed open area in front of the compressor access panel.

² For servicing and maintenance, leave a minimum of 29" of unobstructed open area in front of the blower access panel.



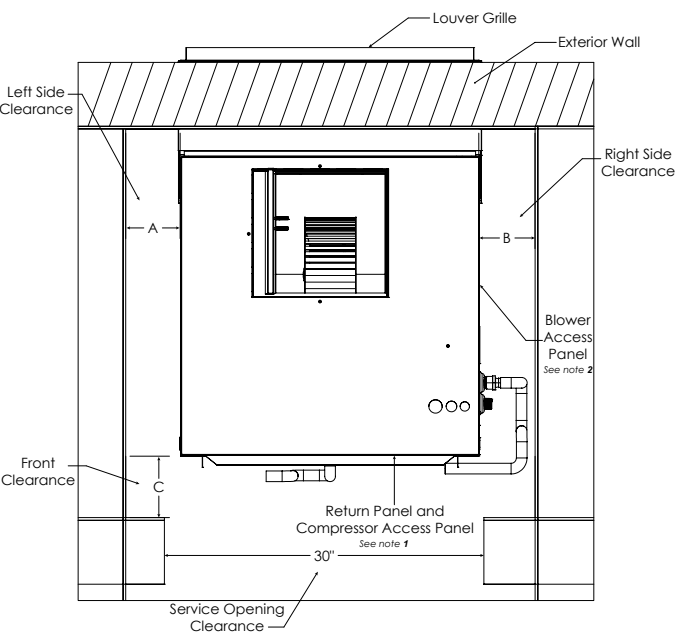
Front Return Right Hand Access Service Clearance

Rear Installation

A	B	C
1"	5 1/4" ¹	4" ¹

¹ If ductwork is attached to the return opening, additional clearance is necessary. Local codes must be adhered to.

² For servicing and maintenance, leave a minimum of 29" of unobstructed open area in front of the blower access panel.

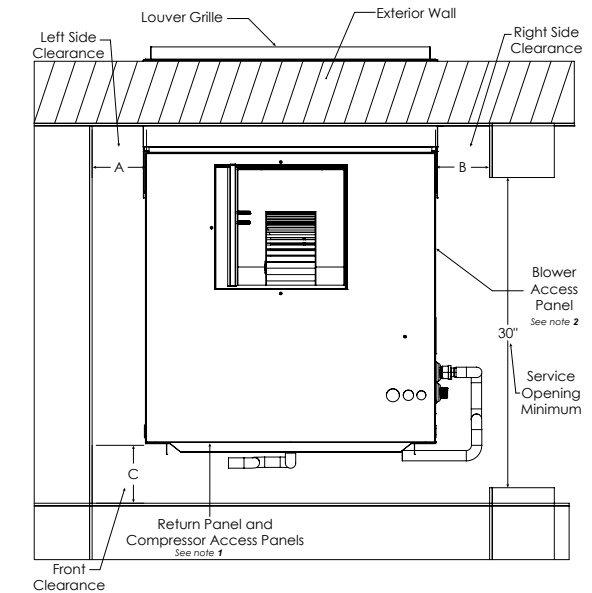


Side Installation

A	B	C
1"	5 1/4" ¹	12" ¹

¹ If ductwork is attached to the return opening, additional clearance is necessary. Local codes must be adhered to. For servicing and maintenance for compressor, leave a minimum of 30" of unobstructed open area in front of the compressor access panel.

² For servicing and maintenance, leave a minimum of 29" of unobstructed open area in front of the blower access panel.



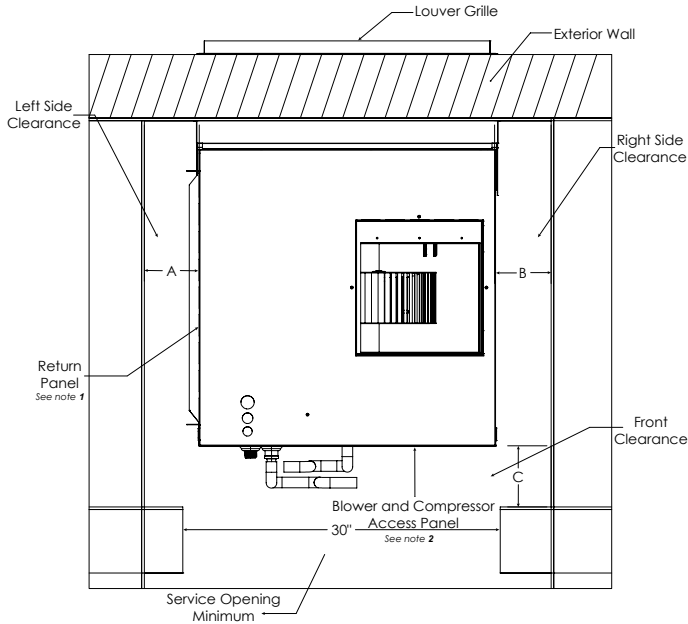
Comfort Pack *Flex* Closet Installation & Service Clearances

Left Hand Return Front Access Service Clearance

Rear Installation

A	B	C
4" ¹	1"	5 1/4" ²

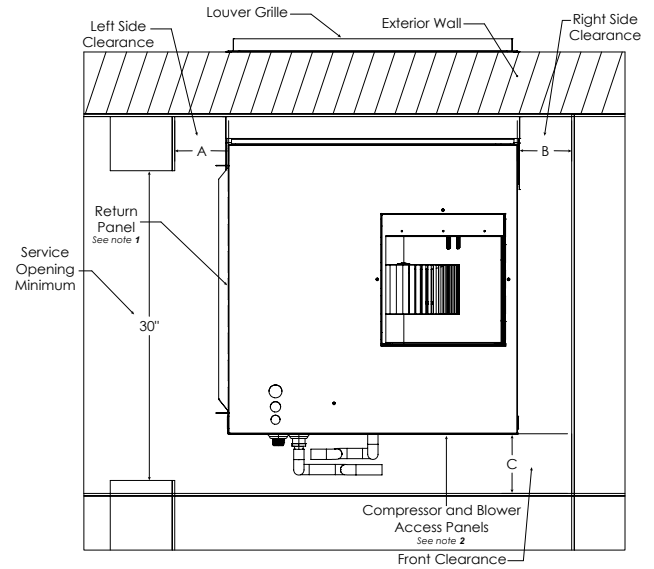
- ¹ If ductwork is attached to the return opening, additional clearance is necessary. Local codes must be adhered to.
- ² For servicing and maintenance, leave a minimum of 29" of unobstructed open area in front of the blower access panel.



Side Installation

A	B	C
4" ¹	1"	12" ²

- ¹ If ductwork is attached to the return opening, additional clearance is necessary. Local codes must be adhered to.
- ² For servicing and maintenance, leave a minimum of 30" of unobstructed open area in front of the compressor access panels.

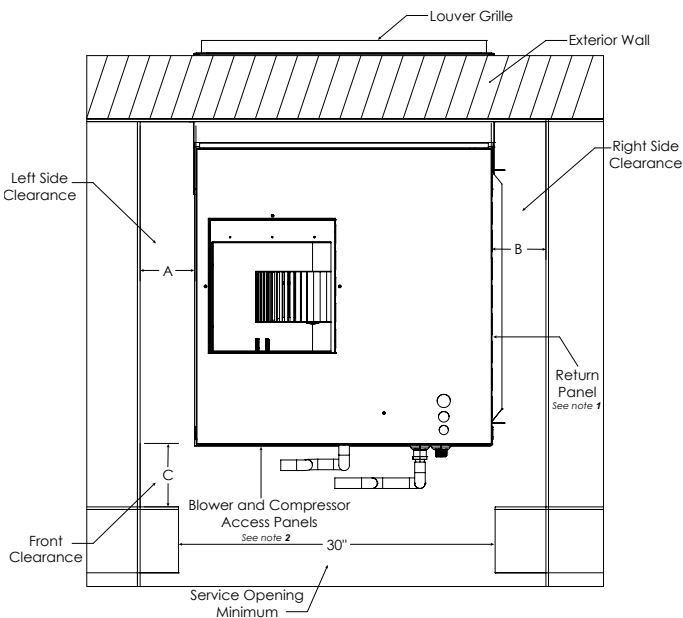


Right Hand Return Front Access Service Clearance

Rear Installation

A	B	C
1"	4" ¹	5 1/4" ²

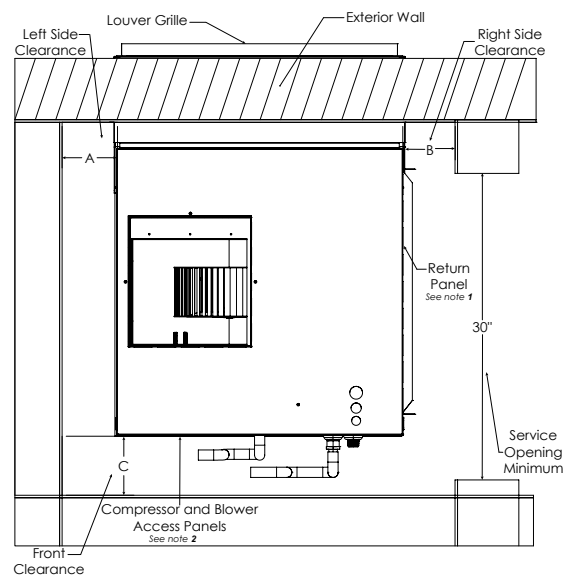
- ¹ If ductwork is attached to the return opening, additional clearance is necessary. Local codes must be adhered to.
- ² For servicing and maintenance, leave a minimum of 29" of unobstructed open area in front of the blower access panel.



Side Installation

A	B	C
1"	4" ¹	12" ²

- ¹ If ductwork is attached to the return opening, additional clearance is necessary. Local codes must be adhered to.
- ² For servicing and maintenance, leave a minimum of 30" of unobstructed open area in front of the compressor access panels.





National Comfort Products

A Division of National Refrigeration and Air Conditioning Products, Inc.

539 Dunksferry Road · Bensalem, PA 19020-5908

(800) 523-7138

www.nationalcomfortproducts.com

All specifications are subject to change without notice.
**AHRI Certification pending.



Spec Comfort Pack Flex Heat Pump 2026