



National Comfort Products

Thru-the-Wall Heating & Cooling



AHRI CERTIFIED®
www.ahridirectory.org

with **R-32**

Split Systems

1000 | 3000 | 4000

Parts
Lookup

Cross
Reference

Go Thru-the-Wall



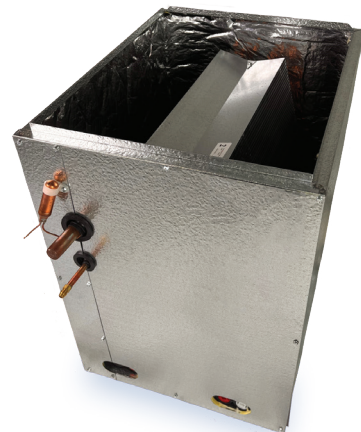
Thru-the-Wall Condensing Unit Features

- Compatible with NCCA Cased Coils & matched 3rd party air handlers
- Heavy-duty, water resistant cabinet
- R-32 high efficiency compressor
- Available in 1.5 to 2.5 ton sizes
- Easy access to condenser fan
- Easy Access Control Box
- Brass service valves



Cased Coil Features

- Available for 1.5 to 2.5 ton capacity systems
- Ready for both left and right hand drain requirements
- Copper Tube Aluminum Fin
- Upflow/downflow compatible
- Factory-installed A2L Kit for occupant safety
- Adjustable A2L TXV's field installed



Go Thru-the-Wall



nep

Take Back

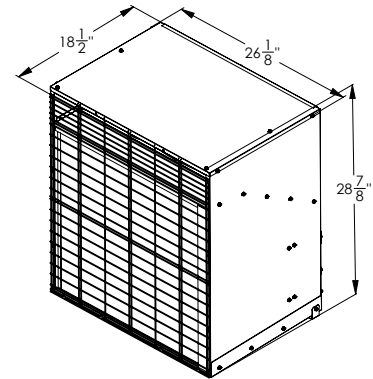
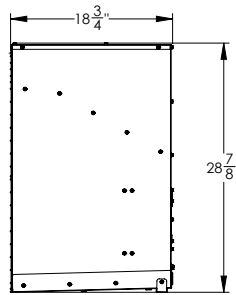
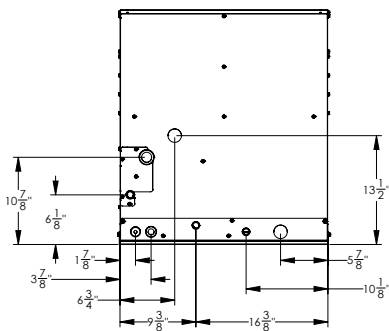
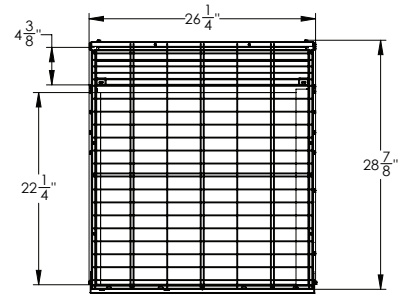
Outdoor Living

Utilize every space in your design with our
Thru-the-Wall Split Systems.

Electrical & Dimensional Data

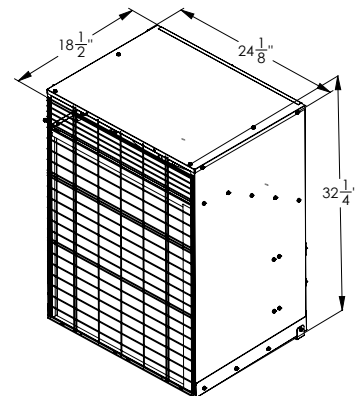
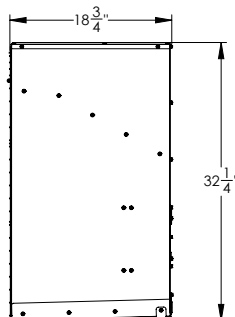
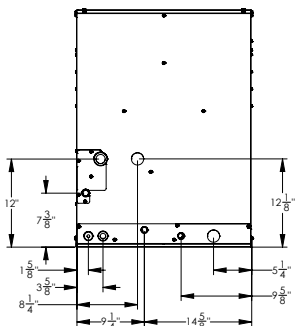
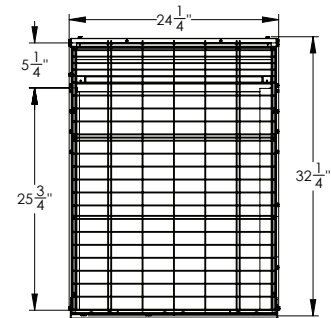
1000 Series R-32					
All Units 208/230-1-60Hz					
Model	Shipping weight (lbs)	Compressor		MCA	MOP
		RLA	LRA		
NCP3181000A-**	157	8.3	44.3	11.7	15
NCP3241000A-**	162	10.3	59.3	14.2	20
NCP3301000A-**	167	11.5	66.3	16.2	25
Cond. Fan Motor Specs		418/424		1/4 HP, 1600 RPM, 1.3 FLA	
		430		1/5 HP, 1650 RPM, 1.8 FLA	
Condenser Coil Specs		3.61 ft ² Face Area, 16 FPI			
Dimensions		26 1/4" W x 28 5/8" H x 18 1/2" D			
Liquid Valve		3/8"	Suction Valve		3/4"

** This unit is charged with only 3.75 lbs of R-32. The installer must add charge to meet the required subcooling value provided in the installation manual.



3000 Series R-32					
All Units 208/230-1-60Hz					
Model	Shipping Weight (lbs)	Compressor		MCA	MOP
		RLA	LRA		
NCP3183000A-**	157	8.3	44.3	11.7	15
NCP3243000A-**	162	10.3	59.3	14.2	20
NCP3303000A-**	167	11.5	66.3	16.2	25
Cond. Fan Motor Specs		418/424		1/4 HP, 1600 RPM, 1.3 FLA	
		430		1/5 HP, 1650 RPM, 1.8 FLA	
Condenser Coil Specs		3.77 ft ² Face Area, 16 FPI			
Dimensions		24 1/8" W x 32" H x 18 1/2" D			
Liquid Valve		3/8"	Suction Valve		3/4"

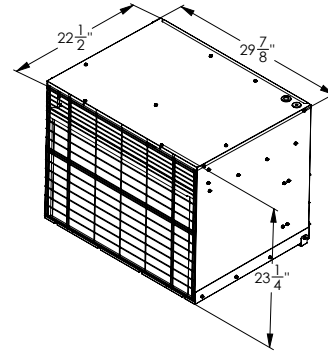
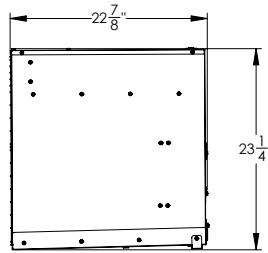
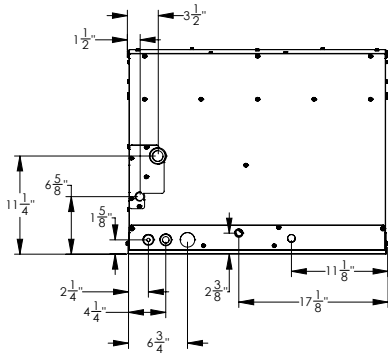
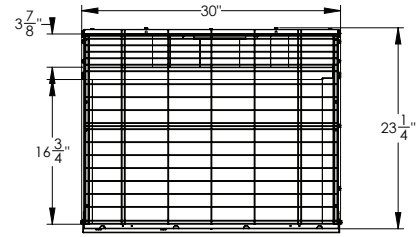
** This unit is charged with only 3.75 lbs of R-32. The installer must add charge to meet the required subcooling value provided in the installation manual.



Note: Some dimensions that are shown in these drawings are measured between the edges of screw heads.

4000 Series R-32					
All Units 208/230-1-60Hz					
Model	Shipping Weight (lbs)	Compressor		MCA	MOP
		RLA	LRA		
NCP3184000A-**	157	8.3	44.3	12.4	20
NCP3244000A-**	167	10.3	59.3	14.9	25
Cond. Fan Motor Specs		1/4 HP, 1650 RPM, 2.0 FLA			
Condenser Coil Specs		3.14 ft² Face Area, 16 FPI			
Dimensions		30" W x 23" H x 22 1/2" D			
Liquid Valve		3/8"	Suction Valve	3/4"	

** This unit is charged with only 3.75 lbs of R-32. The installer must add charge to meet the required subcooling value provided in the installation manual.



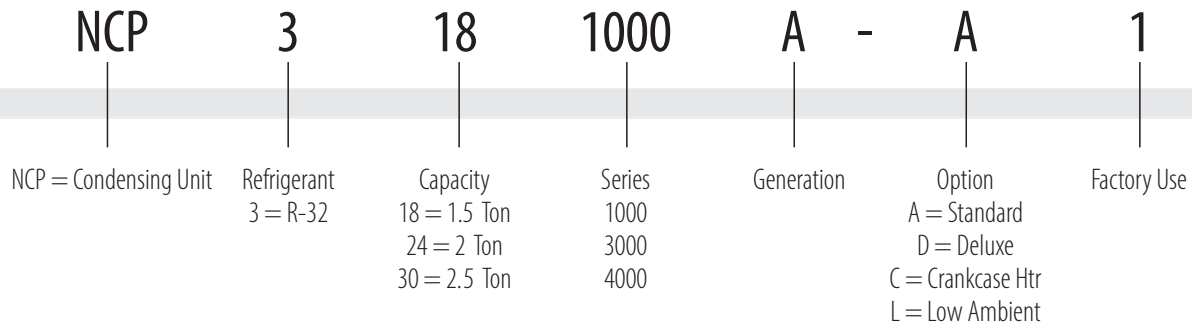
Note: Some dimensions that are shown in these drawings are measured between the edges of screw heads.

Thru-the-Wall System Technical Evaluation Report for Structural (Wind) Performance :



Performance Data

Nomenclature



Matching Cased Coils & Air Handlers

AHRI Ref. #	Outdoor Model	Indoor Model	Rated Capacity	Rated EER2	SEER2	Nominal Airflow (SCFM)
1000 Series						
217901285	NCP3181000A-**	NCCA18AA-*	17,800	10.8	11.7	620
217735284	NCP3181000A-**	AWST24SU13**A*	16,800	10.5	11.7	605
217901286	NCP3241000A-**	NCCA24AA-*	23,000	10.4	11.7	820
217734252	NCP3241000A-**	AWST24SU13**A*	21,000	10.4	11.7	605
217901287	NCP3301000A-**	NCCA30AA-*	26,800	10.2	11.7	870
217753707	NCP3301000A-**	AWST30LU13**A*	27,600	11	12	870
3000 Series						
217901288	NCP3183000A-**	NCCA18AA-*	17,600	10.6	11.7	620
217735285	NCP3183000A-**	AWST24SU13**A*	16,800	10.5	11.7	605
217901289	NCP3243000A-**	NCCA24AA-*	24,000	10.8	11.7	820
217734253	NCP3243000A-**	AWST24SU13**A*	21,000	10.4	11.7	605
217901290	NCP3303000A-**	NCCA30AA-*	26,800	10.2	11.7	870
217753708	NCP3303000A-**	AWST30LU13**A*	27,600	11	12	870
4000 Series						
218002299	NCP3184000A-**	NCCA18AA-*	17,800	10.8	11.7	610
218002300	NCP3244000A-**	NCCA24AA-*	23,800	10.6	11.7	820

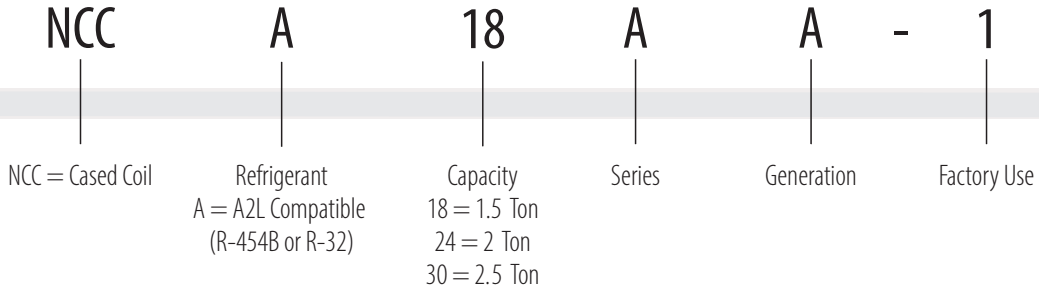
Cross Reference

1000 Series	M# NCP3181000* replaces 18WCU10-BB, 18WCX12-BB, 18WCX2-BB M# NCP3241000* replaces 24WCU10-BB, 24WCX12-BB, 24WCX2-BB M# NCP3301000* replaces 30WCU10-BB, 30WCXA12-BB, 30WCX2-BB
3000 Series	M# NCP3183000* replaces 18WCU10-AB, 18WCX12-AB, 18WCX2-BA M# NCP3243000* replaces 24WCU10-AB, 24WCX12-AB, 24WCX2-BA M# NCP3303000* replaces 30WCU10-AB, 30WCXA12-AB, 30WCX2-BA
4000 Series	M# NCP3184000* replaces 18WCU10-CB, 18WCX14-CB, 18WCX4-BC M# NCP3244000* replaces 24WCU10-CB, 24WCX14-CB, 24WCX4-BC

NCC | Cased Coil • R-32 Compatible

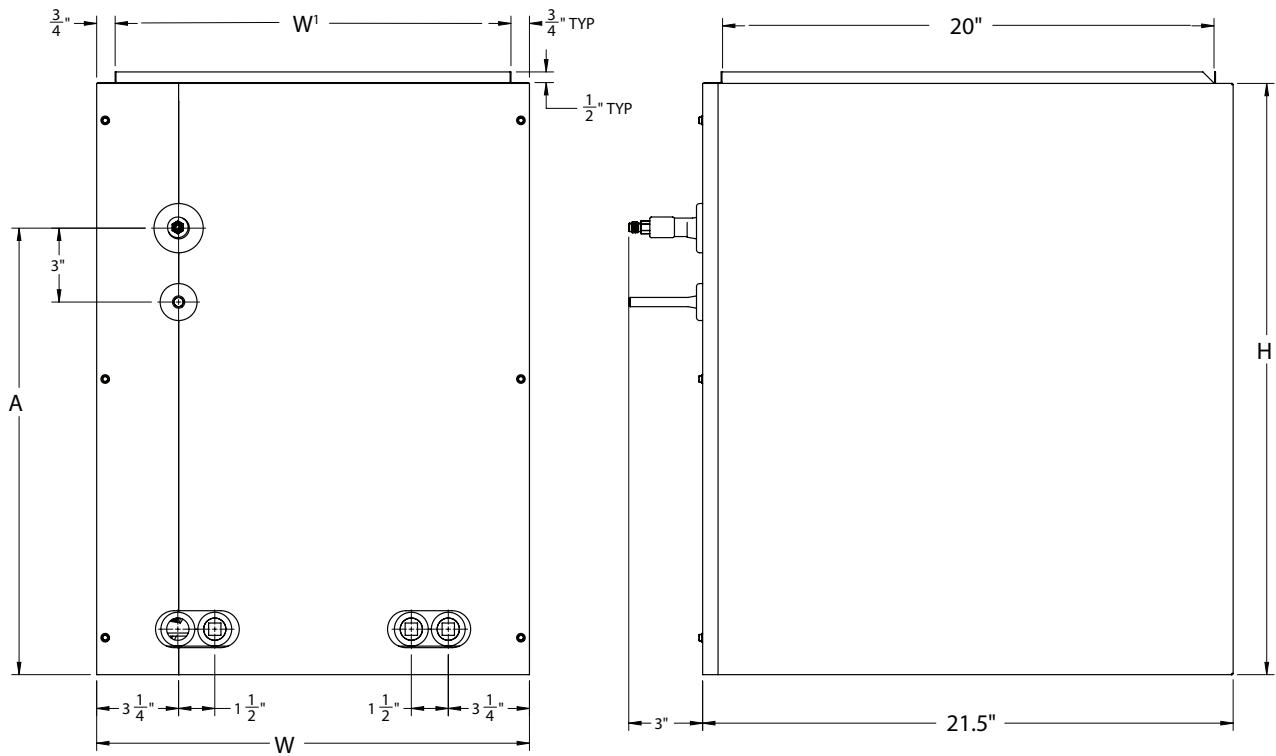
Performance Data

Nomenclature



Unit Dimensions

Model	Size (tons)	Flow Control	Liquid Line	Suction Line	Cabinet Width (W)	Cabinet Depth	Supply Opening Width (W')	Supply Opening Depth	Cabinet Height (H)	Shipping Weight
NCCA18AA-1	1.5 Ton	Adj. TXV	3/8"	3/4"	17.50"	21.50"	16"	20"	20.50"	56 lbs.
NCCA24AA-1	2 Ton				17.50"	21.50"	16"	20"	24.50"	62 lbs.
NCCA30AA-1	2.5 Ton				21.00"	21.50"	19.50"	20"	28.50"	75 lbs.



*With Factory-installed A2L Kit

Accessory

TXV's (Field installed TXV required)

COIL MODEL	R-32 TXV PART NUMBER	R-454B TXV PART NUMBER
NCCA18AA-1	142-75-181	142-75-178
NCCA24AA-1	142-75-181	142-75-179
NCCA30AA-1	142-75-182	142-75-179

Note: Required for occupant safety.**



National Comfort Products

A Division of National Refrigeration and Air Conditioning Products, Inc.

539 Dunksferry Road · Bensalem, PA 19020-5908

(800) 523-7138

www.nationalcomfortproducts.com

