



Thru-the-Wall Comfort

Packaged Heating & Cooling

Comfort Pack Flex Submittal Data

For Approval

Project:

Purchaser:

Date:

Up to 14.3 SEER2



National Comfort Products
A Division of National Refrigeration and Air Conditioning Products, Inc.
539 Dunksferry Road · Bensalem, PA 19020-5908
(800) 523-7138
www.nationalcomfortproducts.com

Go Thru-the-Wall



Project:

Heat Kit Options - For Field Installation

Plan Designation	Quantity	Option	Description	Page
		CPEHK-03-A	3 kW Electric Heat Kit	5
		CPEHK-05-A	5 kW Electric Heat Kit	5
		CPEHK-07-A	7 kW Electric Heat Kit	5
		CPEHK-10-A	10 kW Electric Heat Kit	5
		CPEHK-15-A	15 kW Electric Heat Kit	5

Unit Orientation Options

Option	Description	Page
K	Front Return Left Hand Access	7
F	Front Return Right Hand Access	8
L	Left Hand Return Front Access	9
R	Right Hand Return Front Access	10

Wall Sleeve & Louver Options

Plan Designation	Quantity	Model	Description	Page
		FCWS-06	Comfort Pack Flex 6" Deep Wall Sleeve	12
		FCWS-08	Comfort Pack Flex 8" Deep Wall Sleeve	12
		FCWS-10	Comfort Pack Flex 10" Deep Wall Sleeve	12
		FCWS-12	Comfort Pack Flex 12" Deep Wall Sleeve	12
		14269038-S	Comfort Pack Flex Architectural Louver Grille for Sleeve	13
		14269038-SP	Comfort Pack Flex Architectural Louver Grille Sleeve Painted	13



Project:

Performance Data

Cooling Data - Up to 14.3 SEER2						
Model	Nominal Tonnage	Rated Capacity ¹ (Btu/h)	Rated EER2	Nominal Airflow (SCFM) ²	Refrigerant Charge (Oz.)	SEER2
FCH51800*A-A	1.5	18,000	12	630	69	14.3
FCH52400*A-A	2.0	24,000	12	810	69	14.0
FCH53000*A-A	2.5	28,400	11.5	940	85	13.5

1. The cooling capacity are based of outdoor condition at 95°F DB and indoor condition at 80°F DB, 67°F WB
 2. The nominal Airflow values are from factory speed settings of the blower at 0.3" ESP.

Heating Data - 7.5 HSPF2									
Model	Nominal Tonnage	Rated Capacity (47°F)(Btu/h)	Rated COP2	Rated Capacity (35°F)(Btu/h)	Rated COP2	Rated Capacity (17°F)(Btu/h)	Rated COP2	Rated Capacity (5°F)(Btu/h)	Rated COP2
FCH51800*A-A	1.5	17,000	3.5	13,000	2.8	9,800	2.2	8,000	1.7
FCH52400*A-A	2.0	23,000		17,800		14,600		11,000	
FCH53000*A-A	2.5	27,000		20,400		15,800		13,400	

Electric Heat Kit Information								
Model	Nominal Tonnage	Heat Kit ¹	Heat Btu/h		Heating kW		Heating Amps	
			208V	230V	208V	230V	208V	230V
FCH51800*A-A	1.5	N/A	N/A	N/A	N/A	N/A	N/A	N/A
		CPEHK03	8,900	10,900	2.61	3.19	12.54	13.89
		CPEHK05	13,100	16,000	3.84	4.69	18.45	20.39
		CPEHK07	18,300	22,400	5.36	6.56	25.78	28.54
		CPEHK10	26,000	32,000	7.62	9.38	36.63	40.77
		CPEHK15	39,000	48,000	11.43	14.06	54.94	61.15
FCH52400*A-A	2.0	N/A	N/A	N/A	N/A	N/A	N/A	N/A
		CPEHK03	8,900	10,900	2.61	3.19	12.54	13.89
		CPEHK05	13,100	16,000	3.84	4.69	18.45	20.39
		CPEHK07	18,300	22,400	5.36	6.56	25.78	28.54
		CPEHK10	26,000	32,000	7.62	9.38	36.63	40.77
		CPEHK15	39,000	48,000	11.43	14.06	54.94	61.15
FCH53000*A-A	2.5	N/A	N/A	N/A	N/A	N/A	N/A	N/A
		CPEHK03	8,900	10,900	2.61	3.19	12.54	13.89
		CPEHK05	13,100	16,000	3.84	4.69	18.45	20.39
		CPEHK07	18,300	22,400	5.36	6.56	25.78	28.54
		CPEHK10	26,000	32,000	7.62	9.38	36.63	40.77
		CPEHK15	39,000	48,000	11.43	14.06	54.94	61.15

1. The Packaged heat pump comes with no electric from factory. Field installation electric heat kits are available to order separately.



Project:

Electrical Data

All units have a Voltage of 208/230-1-60													
Model	Auxiliary Heat Kit	Compressor		Condenser Motor		Blower		Total Amps		MCA		MOP	
		RLA	LRA	HP	FLA	HP	FLA	208V	230V	208V	230V	208V	230V
FCH51800*A-A	N/A	7.2	47	1/4	2.0	1/2	3.8	13.0	13.0	14.8	14.8	20	20
	CPEHK03							16.4	17.7	20.5	22.1	25	25
	CPEHK05							22.2	24.2	27.8	30.2	30	35
	CPEHK07							29.6	32.4	37.0	40.5	40	45
	CPEHK10							40.5	44.5	50.7	55.6	60	60
	CPEHK15							38.8	42.6	49.1	54.0	50	60
FCH52400*A-A	N/A	9.0	63	1/4	2.0	1/2	3.8	20.4	22.3	24.6	27.0	25	30
	CPEHK03							14.8	14.8	17.1	17.1	25	25
	CPEHK05							16.4	17.7	20.5	22.1	25	25
	CPEHK07							22.2	24.2	27.8	30.2	30	35
	CPEHK10							29.6	32.4	37.0	40.5	40	45
	CPEHK15							40.5	44.5	50.7	55.6	60	60
FCH53000*A-A	N/A	12.5	67	1/4	2.0	1/2	3.8	38.8	42.6	49.1	54.0	50	60
	CPEHK03							18.3	18.3	21.4	21.4	30	30
	CPEHK05							30.9	32.2	21.4	22.1	30	30
	CPEHK07							36.7	38.7	27.8	30.2	30	35
	CPEHK10							44.1	46.9	37.0	40.5	40	45
	CPEHK15							55.0	59.0	50.7	55.6	60	60
								49.0	52.8	49.1	54.0	50	60
								24.5	26.4	24.6	27.0	25	30



Project:

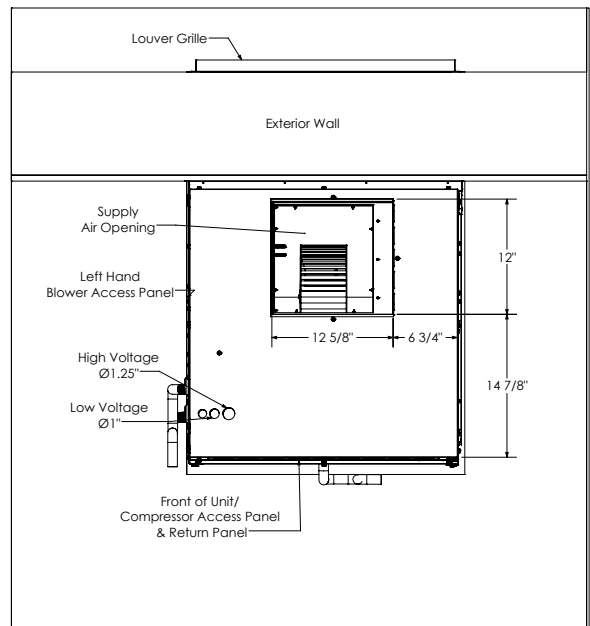
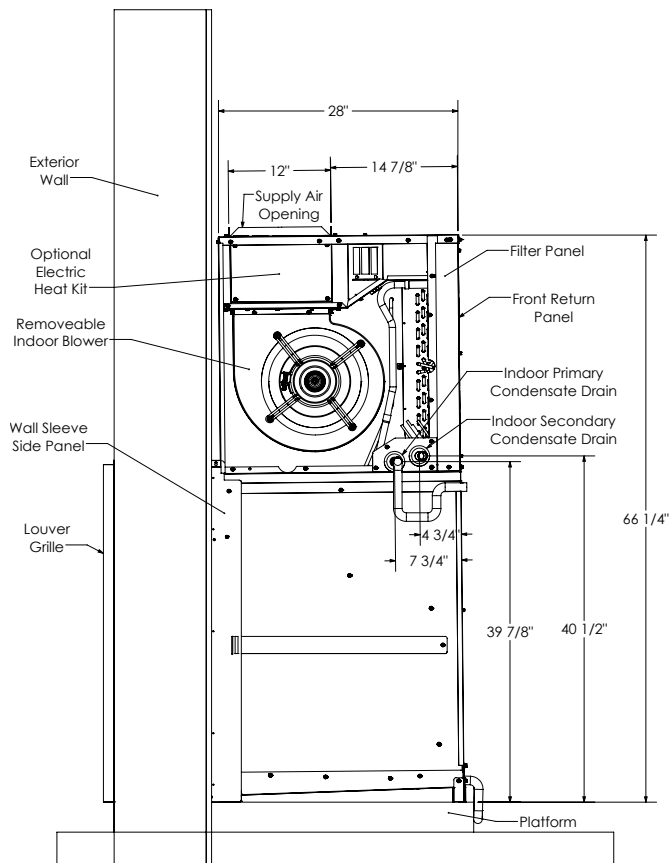
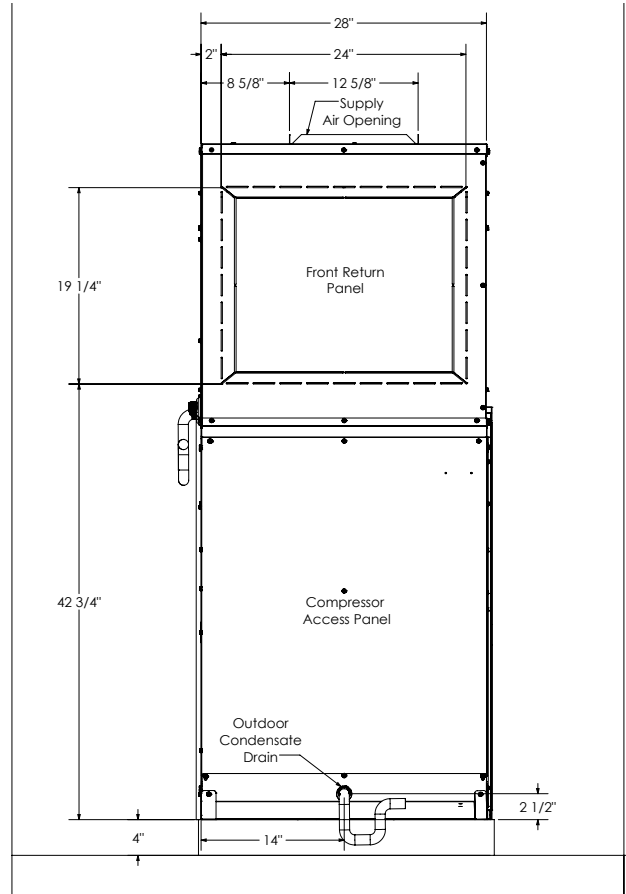
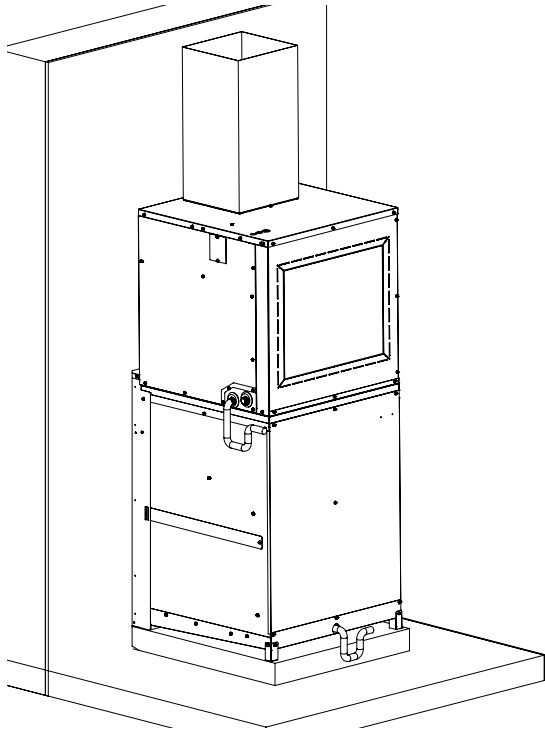
Air Flow Data

Model	Blower Speeds	ESP (in. wc) / SCFM1				
		0.1	0.2	0.3	0.4	0.5
FCH51800*A-A FCH52400*A-A FCH53000*A-A	Orange (low)	675	624	563	493	414
	Black (Med. Low)	719	648	588	539	501
	Blue (Med.)	905	862	819	775	731
	Yellow (Med. High)	1006	946	924	886	849
	Red (High)	1042	998	959	924	893



Project:

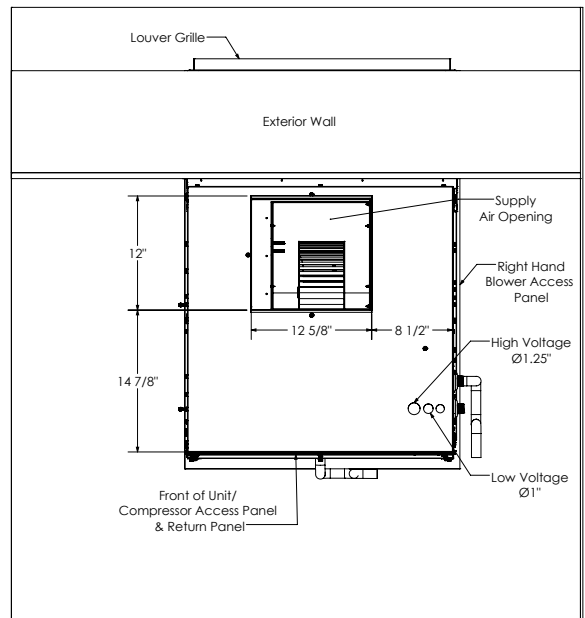
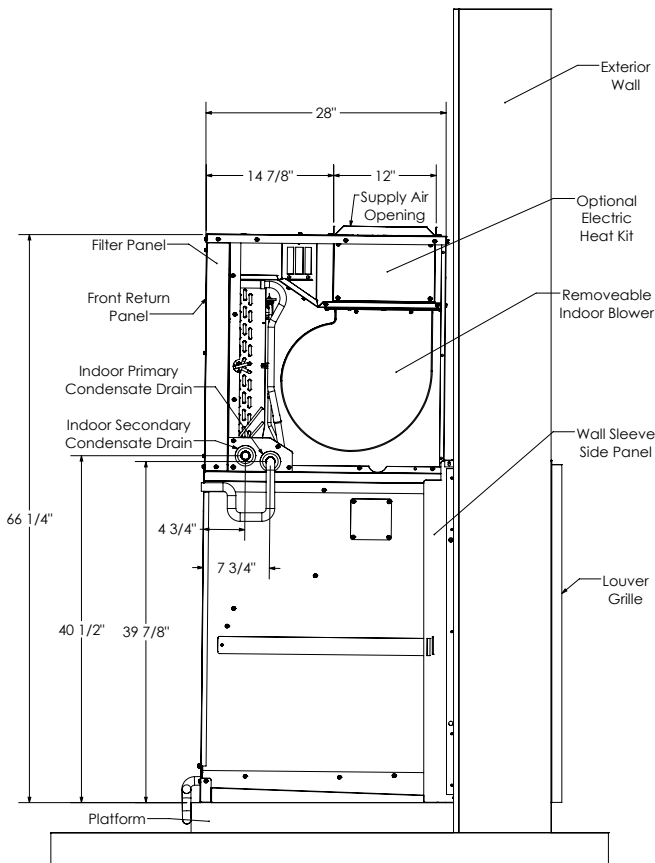
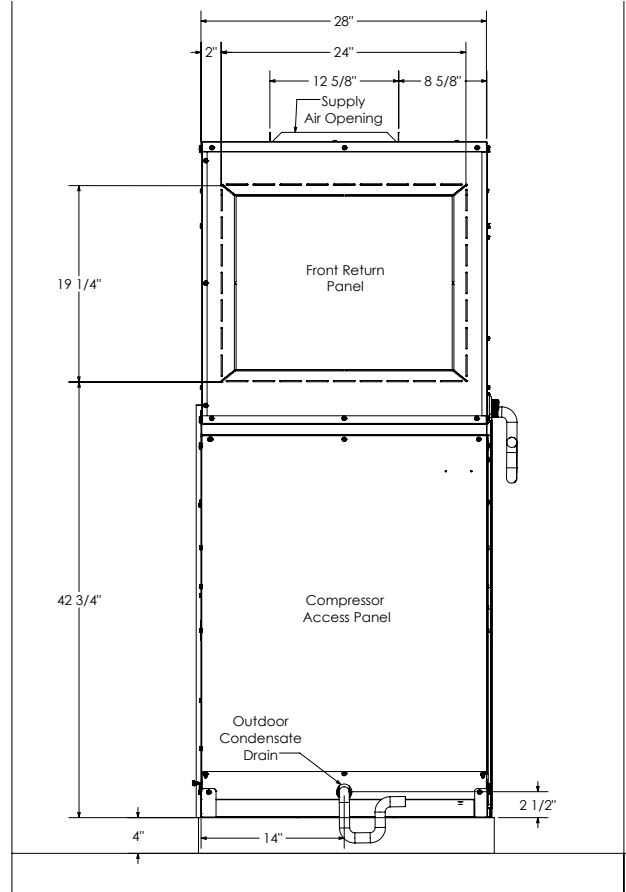
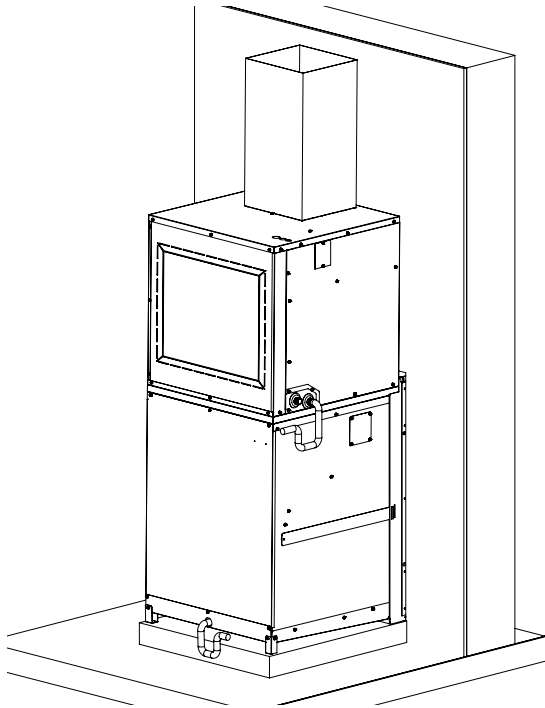
Comfort Pack *Flex* with Option K
Option K: Front Return Left Hand Access





Project:

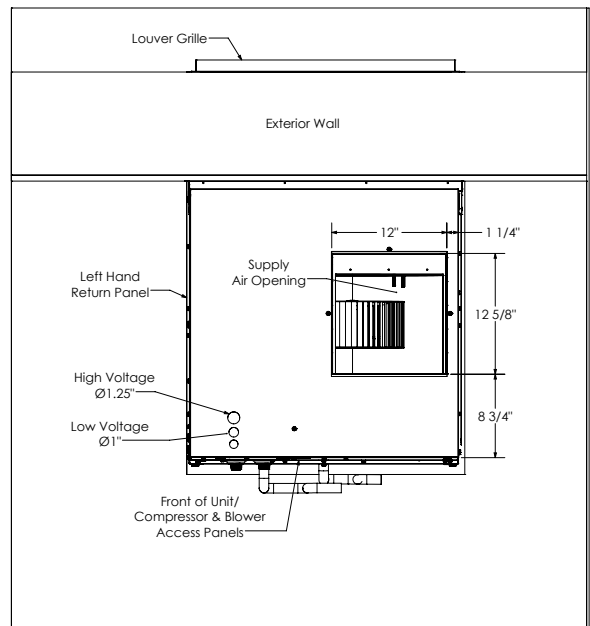
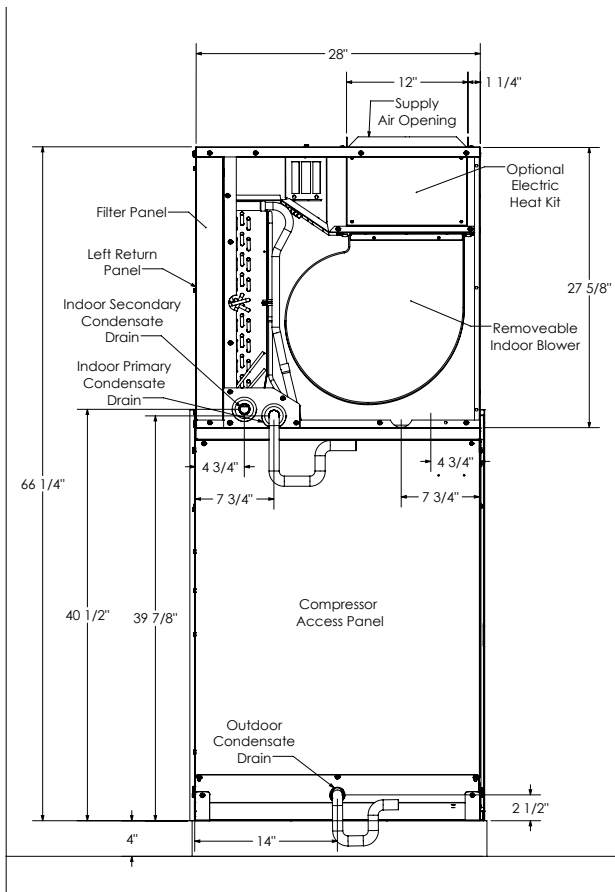
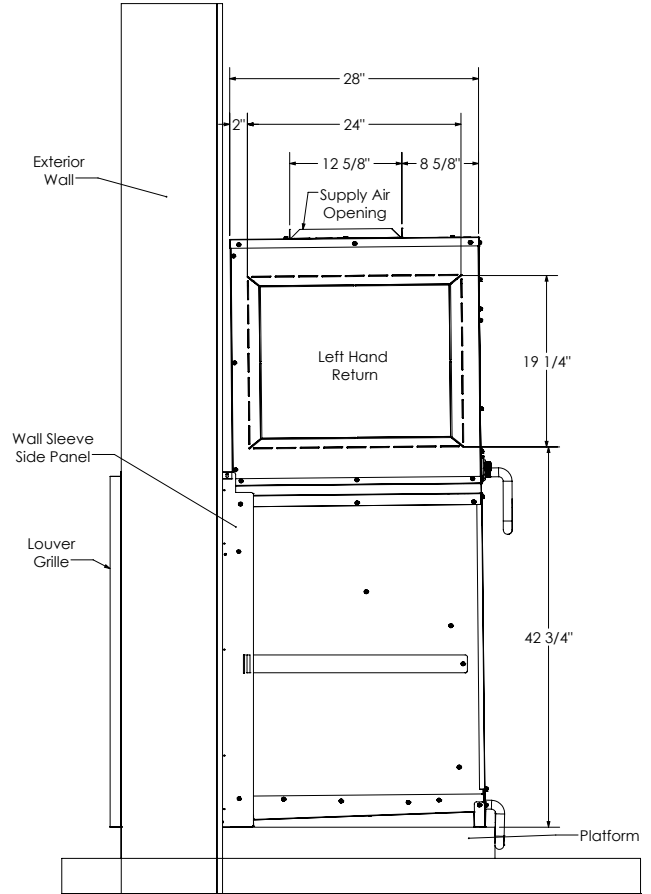
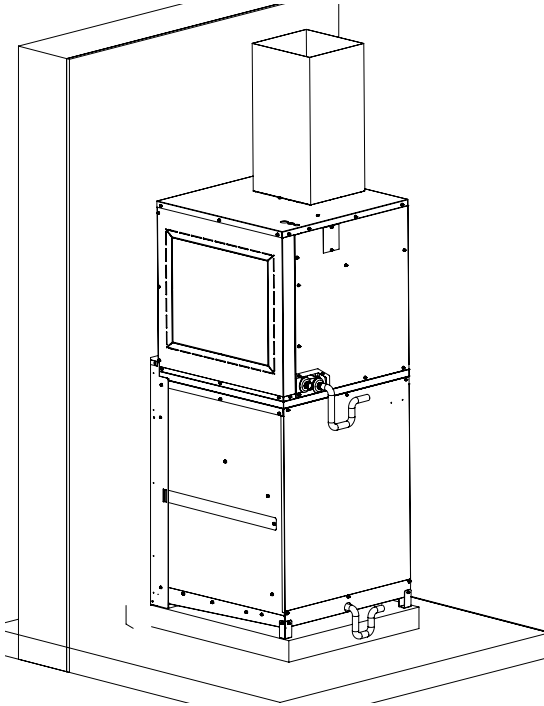
Comfort Pack *Flex* with Option F
 Option F: Front Return Right Hand Access





Project:

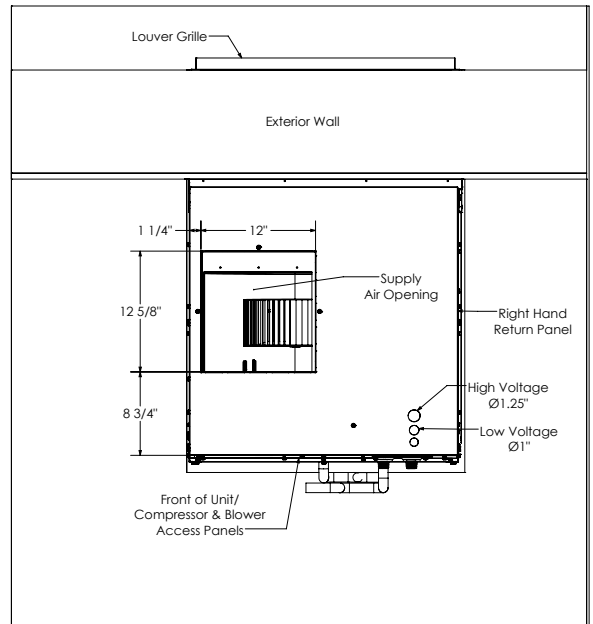
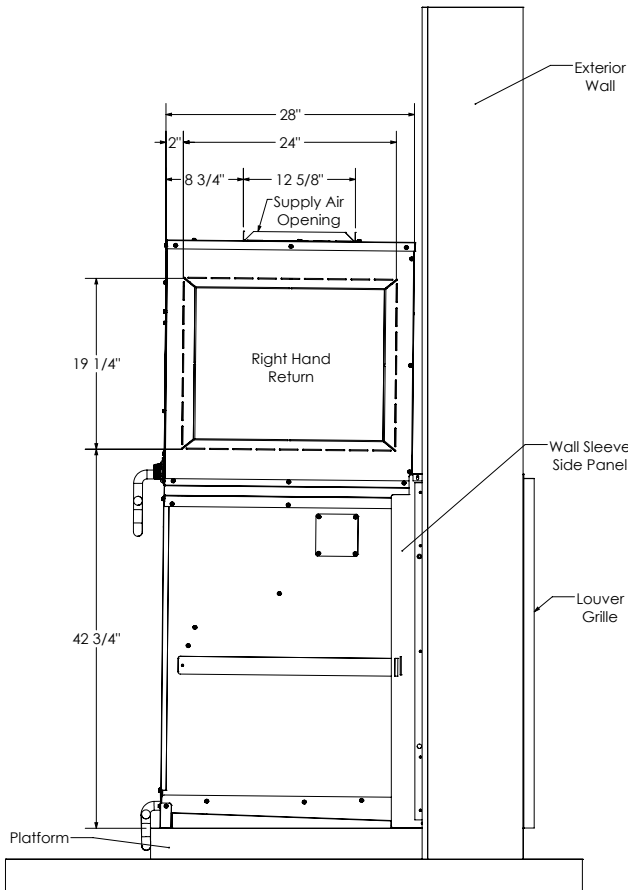
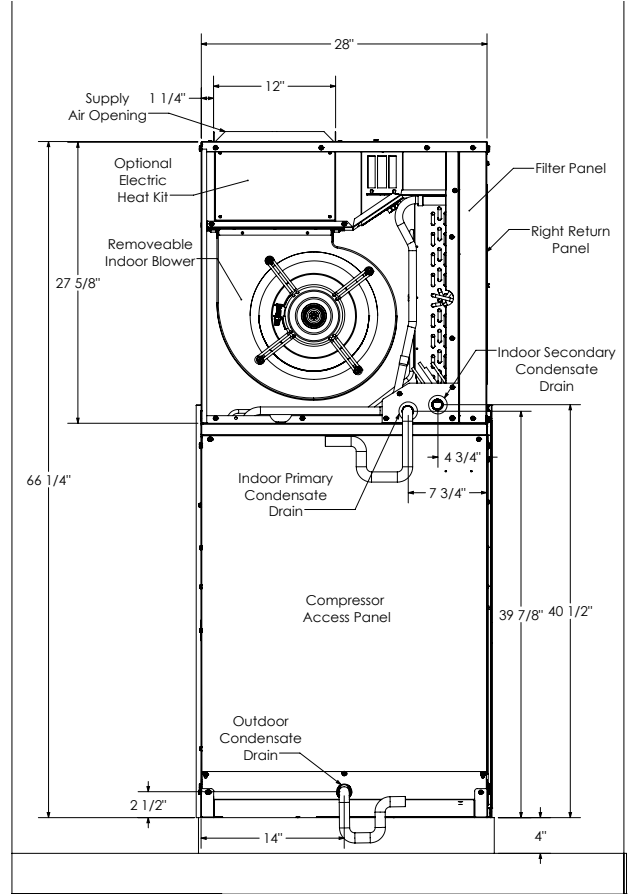
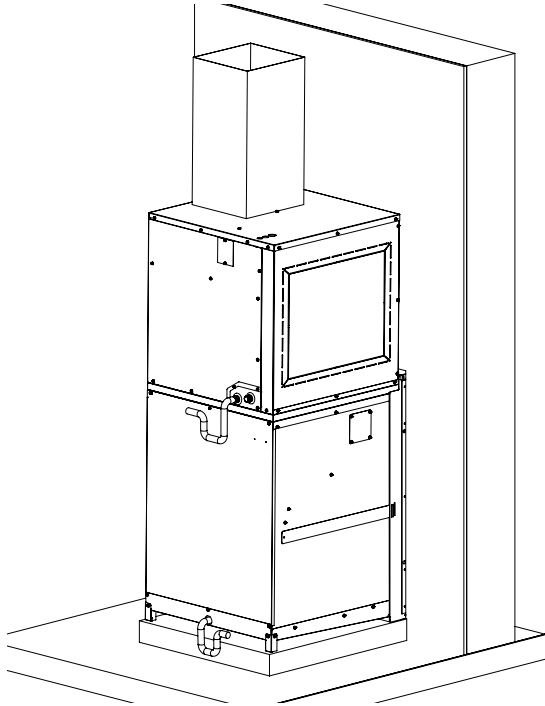
Comfort Pack *Flex* with Option L
 Option L : Left Hand Return Front Access





Project:

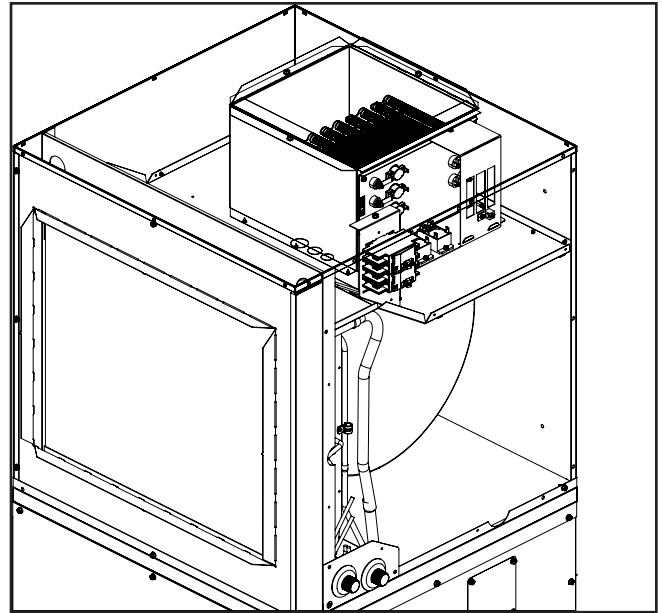
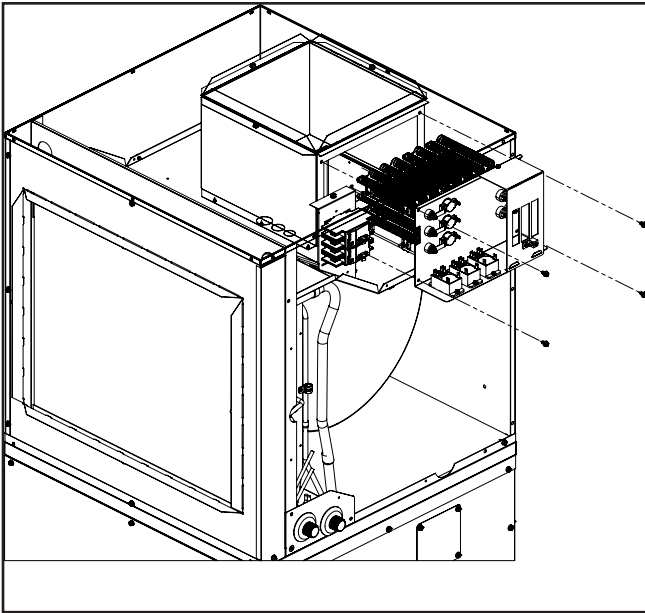
Comfort Pack *Flex* with Option R
 Option R: Right Hand Return Front Access





Project:

Electric Heat Kits



NOTE: Field Installed Heat Kit (15kW shown)

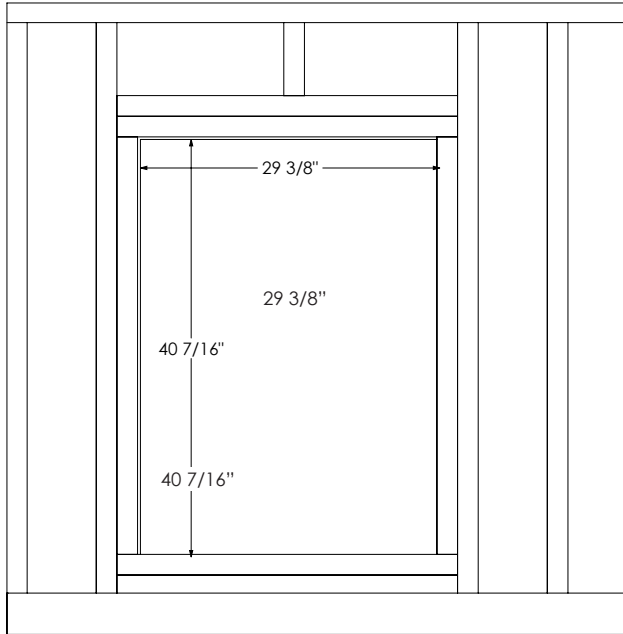


Project:

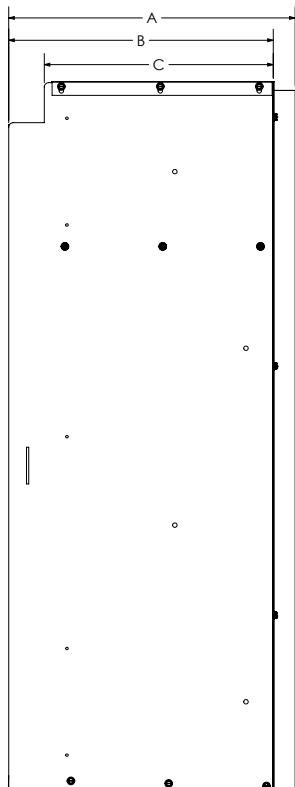
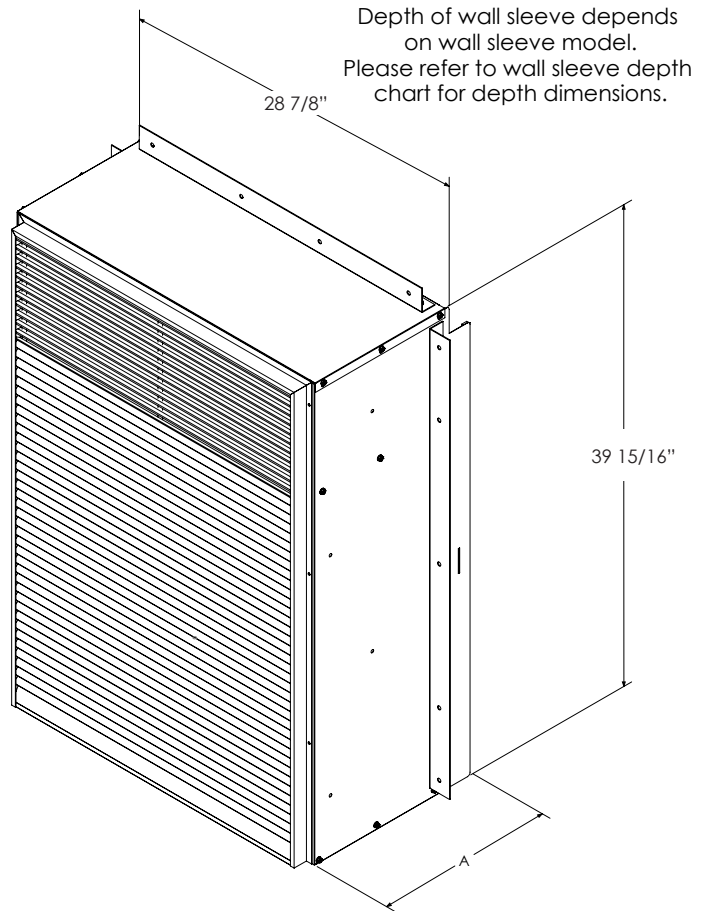
Wall Sleeve

FCWS

Rough In Dimensions



Actual Wall Sleeve Dimensions



Wall Sleeve Option	A	B	C
12"	16 1/8"	14 7/8"	12 7/8"
10"	14 1/8"	12 7/8"	10 7/8"
8"	12 1/8"	10 7/8"	8 7/8"
6"	10 1/8"	8 7/8"	6 7/8"

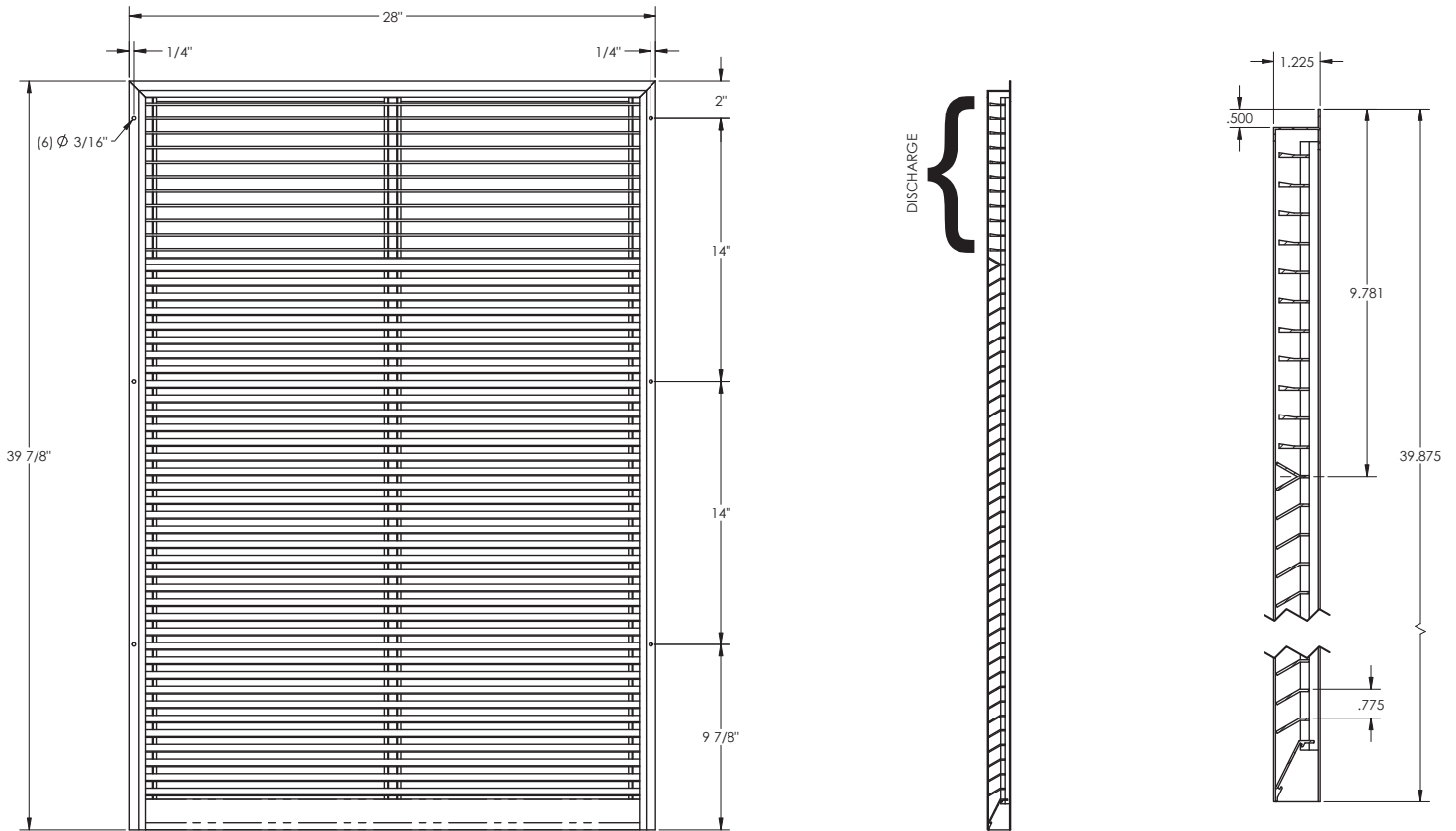


Project:

Comfort Pack Flex Architectural Louver (Sleeve Mounted)

14269038-S (anodized aluminum finish)

14269038-SP (painted finish)



The Architectural Louvers available in anodized aluminum or a painted baked enamel finish. These Louvers are sleeve mounted and recommended to be installed during the installation of the FCHWS. (See page 12)



National Comfort Products

A Division of National Refrigeration and Air Conditioning Products, Inc.

539 Dunksferry Road · Bensalem, PA 19020-5908

(800) 523-7138

www.nationalcomfortproducts.com

