

COMFORT PACK CP series

Electric Heat - Electric Cooling

FEATURES

- Totally Self-Contained Heating and Cooling Units
- 1, 1.5, 2 and 2.5 Ton Cooling Capacities
- Easy, Reachable Access Ports
- Up to 51,000 BTUH Heating Capacity Output
- Completely Precharged and Prewired
- Slide Out Chassis
- Totally Polarized Molex Electrical Plug Connections on Cooling Chassis
- Supplied with Pre-Painted Stamped Exterior Grille
- 16" x 25" Filter Included
- 2" Deeper Cabinet

COOLING SYSTEM

- R-410A High Efficiency Compressor
- Copper Tube with Enhanced Aluminum Fin Coils
- Permanently Lubricated, High Efficiency PSC Motor, DC Indoor Motor (CPE430XX-C Models Only)

HEATING

- Up to 15KW Electric Resistance Heat
- Fast-Acting Open Wire Elements
- Internal Automatic Reset Thermal Limits
- One-Stage Heat Control with Sequenced Steps
- Internal Fusing

MEETS 2010 DOE REQUIREMENTS FOR ALL UNITS.

Thru-the-Wall Comfort Pack units with heating capacities up to 15 KW. Cooling capacities from 1 to 2.5 tons.



Applications include: high-rise condominiums, garden apartments, retirement villages, luxury town homes, hotels and motel suites, and student housing.

WE GO THRU-THE-WALL™

COMFORT PACK Electric Heating - Electric Cooling

ELECTRICAL DATA

MODEL	VOLTAGE	COMPRESSOR		INDOOR BLOWER MOTOR			OUTDOOR FAN MOTOR			TOTAL AMPS	MINIMUM CIRCUIT AMPACITY	MAXIMUM OVERCURRENT PROTECTOR
		RLA	LRA	HP	FLA	LRA	HP	FLA	LRA			
CPE41205-CT	208-230/60/1	5.4	28.0	1/4	1.4	2.9	1/4	1.8	3.6	24.2	30.3	35
CPE41207-CT	208-230/60/1	5.4	28.0	1/4	1.4	2.9	1/4	1.8	3.6	41.7	46.0	50
CPE41210-CT	208-230/60/1	5.4	28.0	1/4	1.4	2.9	1/4	1.8	3.6	46.0	57.5	60
CPE41805-C	208-230/60/1	6.5	43.0	1/4	1.4	2.9	1/4	1.8	3.6	24.2	30.3	35
CPE41807-C	208-230/60/1	6.5	43.0	1/4	1.4	2.9	1/4	1.8	3.6	41.7	46.0	50
CPE41810-C	208-230/60/1	6.5	43.0	1/4	1.4	2.9	1/4	1.8	3.6	46.0	57.5	60
CPE41815-C	208-230/60/1	6.5	43.0	1/4	1.4	2.9	1/4	1.8	3.6	67.8	84.6	90
CPE42405-C	208-230/60/1	9.9	54.0	1/4	1.4	3.6	1/4	1.8	3.6	24.2	30.3	35
CPE42407-C	208-230/60/1	9.9	54.0	1/4	1.8	3.6	1/4	1.8	3.6	41.7	46.0	50
CPE42410-C	208-230/60/1	9.9	54.0	1/4	1.8	3.6	1/4	1.8	3.6	46.0	57.5	60
CPE42415-C	208-230/60/1	9.9	54.0	1/4	1.8	3.6	1/4	1.8	3.6	67.8	84.6	90
CPE43010-C	208-230/60/1	11.6	74.0	1/3	3.0	DC	1/4	1.8	3.6	47.0	57.5	60



PERFORMANCE DATA

MODEL	COOLING BTUH	HEATING BTU @ 240V	HEATING BTU @ 208V	EER (outside temp.)	HEATING KW		SHIP WT.
					95°	240	
CPE41205-CT	12,000	17,061	12,966	9.0	5	3.8	315
CPE41207-CT	12,000	25,591	12,966	9.0	7.5	5.6	325
CPE41210-CT	12,000	34,121	25,591	9.0	10	7.5	315
CPE41805-C	18,000	17,061	12,966	9.0	5	3.8	325
CPE41807-C	18,000	25,591	19,108	9.0	7.5	5.6	325
CPE41810-C	18,000	34,121	25,591	9.0	10	7.5	325
CPE41815-C	18,000	51,182	38,557	9.0	15	11.3	325
CPE42405-C	23,600	17,061	12,966	9.0	5	3.8	350
CPE42407-C	23,600	25,591	19,108	9.0	7.5	5.6	350
CPE42410-C	23,600	34,121	25,591	9.0	10	7.5	350
CPE42415-C	23,600	51,182	38,557	9.0	15	11.3	350
CPE43010-C	27,500	34,121	25,591	9.0	10	7.5	360
CPE43015-C	27,500	51,182	38,557	9.0	15	11.3	360

OPTIONAL ACCESSORIES

CPWS	WALL SLEEVE (UNASSEMBLED)
CPWSA	WALL SLEEVE ADAPTOR (UNASSEMBLED)
CPLG	ARCHITECTURAL LOUVER GRILLE
CPLG-S	ARCHITECTURAL LOUVER FOR SLEEVE
CPLG-P	ARCHITECTURAL LOUVER GRILLE (PAINTED)
CPLG-SP	ARCHITECTURAL LOUVER FOR SLEEVE (PAINTED)
PAINTED LOUVER	STAMPED GRILLE (PAINTED)
-CF (CALL FOR DETAILS)	SLOTTED FILTER DOOR
-CD (CALL FOR DETAILS)	SECONDARY DRAIN PAN
-CP (CALL FOR DETAILS)	OMITED STAMPED LOUVER AND GRILLE
-CB (CALL FOR DETAILS)	COMBINATION OF (-CD) AND (-CP) SEE ABOVE CONSULT FACTORY FOR OTHER COMBINATIONS

-C: Indicates 2" deeper cabinet

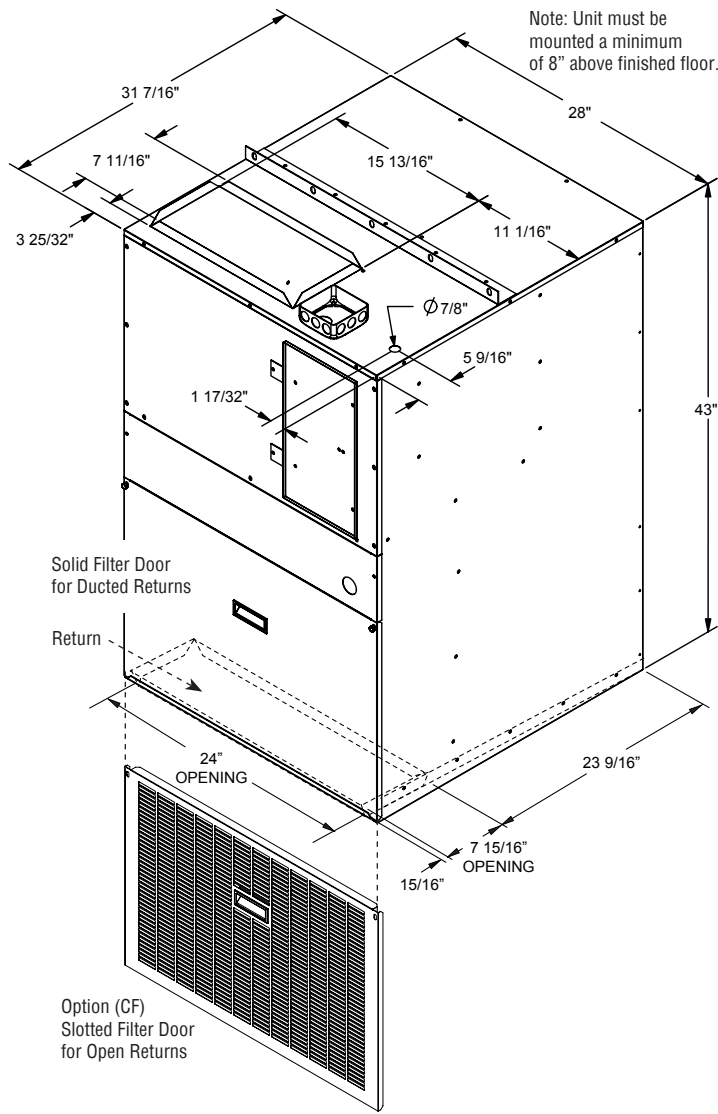
Note: All specifications are subject to change without notice.

COMFORT PACK AIR FLOW

MODEL	HP	CFM, @ EXTERNAL STATIC Pressure				
		0	0.1	0.2	0.3	0.4
CPE412	1/4	375	350	327	315	300
CPE418	1/4	663	645	624	601	568
CPE424	1/4	830	798	768	733	695
CPE430	1/3	848	816	787	747	711

* CPE412 uses Triac Board PSC motor
* CPE418 uses PSC 850 RPM motor

* CPE424 uses PSC 1100 RPM motor
* CPE430 uses DC motor



National Comfort Products offers Architectural Louver Grilles for all models. Outdoor grilles provided by others must be approved by National Comfort Products to maintain unit performance and warranty coverage. See Architectural Louvered Grilles Specification Sheet for more details.



HEATING & AIR CONDITIONING EQUIPMENT

A Division of National Refrigeration and Air Conditioning Products, Inc.
539 Dunksferry Road • Bensalem, PA 19020
(800) 523-7138 • Phone (215) 244-1400
Fax (215) 639-1674
www.nationalcomfortproducts.com