

National Comfort Products

539 Dunksferry Road • Bensalem, PA 19020 • (215) 244-1400 • 1-800-523-7138 • Fax: (215) 244-9579

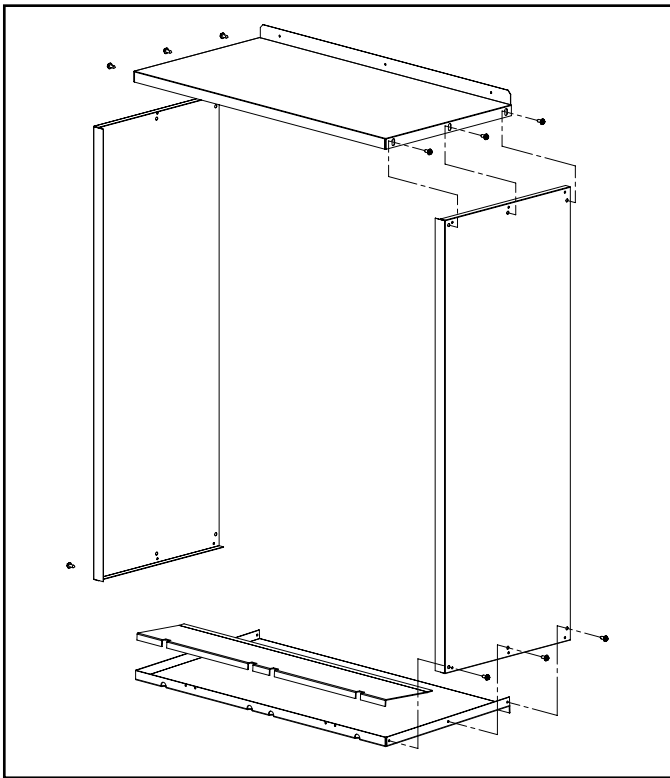
WALL SLEEVE ASSEMBLY INSTRUCTIONS

1000 | 3000 | 4000 | SERIES

NOTE: DUE TO VARIOUS TYPES OF WALL CONSTRUCTION, IT IS NOT POSSIBLE TO PROVIDE DETAILED INSTRUCTIONS FOR THRU-THE-WALL INSTALLATIONS. THE FOLLOWING GUIDELINES AND PRECAUTIONS SHOULD BE CONSIDERED.

1. Masonry walls must have a lintel to support the wall.
2. The Wall Sleeve should be assembled so that the side panel flanges and the bottom panel drain holes are on the same side. **The Louver or Grille should be mounted to that side (See Figure 1).** Caulk all Wall Sleeve joints during assembly.

Figure 1 - Wall Sleeve Assembly

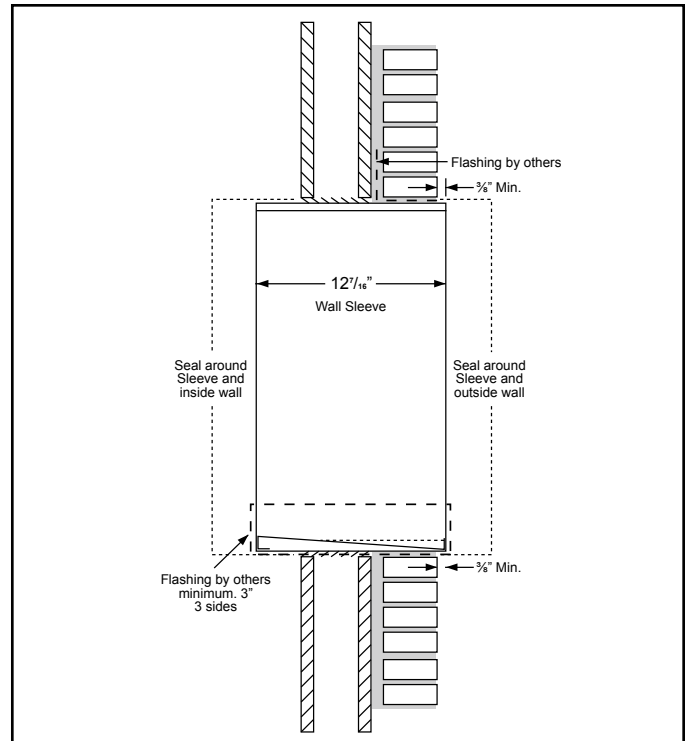


NCP SERIES	Exterior Wall Sleeve Dimensions
	Width x Height x Depth (inches)
1000	26 ⁷ / ₈ x 29 ¹ / ₂ x 12 ⁷ / ₁₆
3000	24 ⁷ / ₈ x 33 ²⁷ / ₃₂ x 12 ⁷ / ₁₆
4000	30 ⁵ / ₈ x 23 ²⁷ / ₃₂ x 12 ⁷ / ₁₆

3. The Wall Sleeve should be installed so that drain holes in the bottom panel protrude 3/8" to 1/2" beyond the outside finished wall to prevent water entry (See Figure 2).

WARNING: SLEEVE MUST BE FASTENED TO THE WALL STUDS AND NOT THE FINISHED WALL.

Figure 2 - Installation



NCP SERIES	Rough-In Dimensions
	Width x Height (inches)
1000	27 ³ / ₈ x 30
3000	25 ³ / ₈ x 33 ¹¹ / ₃₂
4000	31 ¹ / ₈ x 23 ¹¹ / ₃₂

4. Optional mounting angles can be purchased from the factory or field fabricated to locate and secure the unit into the wall.
5. The wall opening across the top and bottom of the Wall Sleeve must be flashed. All openings around the top, sides and bottom must be caulked and sealed.
6. All unused holes need to be sealed.

NOTE: Care must be taken not to plug the drain openings in the front and bottom panel.

7. Make sure Wall Sleeve is square before securing.

NOTE: When optional Wall Sleeve is used, completely fill the spaces between the Wall Sleeve and the unit with a polyurethane foam sealant (follow manufacturer's suggested application manual).

