



HEATING & AIR CONDITIONING EQUIPMENT

R410A-B

An Ideal Degree of Comfort for All Types of Multi-Family Construction

COMFORT PACK CPG series

Gas Heat - Electric Cooling

FEATURES

- Totally Self-Contained Heating and Cooling Units
- 1 to 2.5 Ton Cooling Capacities
- Easy, Reachable Access Ports
- Up to 51,000 BTUH Heating Capacity Output
- Completely Precharged and Prewired
- Slide Out Chassis
- Totally Polarized Molex Electrical Plug Connections on Cooling Chassis
- Supplied with Pre-Painted Stamped Exterior Grille
- 16" x 25" Filter Included

COOLING SYSTEM

- R-410A High Efficiency Compressor
- Copper Tube with Enhanced Aluminum Fin Coils
- Permanently Lubricated, High Efficiency PSC Motor

HEATING

- 80% AFUE Industrial, Quality, Serpentine Design Heat Exchanger with Titanium, Aluminum Stabilized Steel
- Direct Spark Ignition with Unique, Single Gas Orifice
- Easy View Sight Glass for Diagnostic Lights and Flame
- Diagnostic LEDs Visible Through Furnace Door
- Control Board Mounted Out of the Way

MEETS 2010 DOE REQUIREMENTS FOR ALL UNITS.

Thru-the-Wall Comfort Pack units with heating capacities up to 64,000 Btuh. Cooling capacities from 1 to 2.5 tons.



Applications include: high-rise condominiums, garden apartments, retirement villages, luxury town homes, hotels and motel suites, and student housing.

WE GO THRU-THE-WALL™

COMFORT PACK Gas Heating - Electric Cooling

ELECTRICAL DATA

MODEL	VOLTAGE	COMPRESSOR		INDOOR BLOWER MOTOR		OUTDOOR FAN MOTOR		TOTAL AMPS	MINIMUM CIRCUIT AMPACITY	MAXIMUM OVERCURRENT PROTECTOR
		RLA	LRA	HP	FLA	HP	FLA			
CPG41238-BT	208-230/60/1	5.4	28.0	1/4	1.1	1/4	1.8	8.6	12.0	15
CPG41838-B	208-230/60/1	6.5	43.0	1/4	1.1	1/4	1.8	9.3	13.0	20
CPG41851-B	208-230/60/1	6.5	43.0	1/4	1.1	1/4	1.8	9.3	13.0	20
CPG41864-B	208-230/60/1	6.5	43.0	1/4	1.1	1/4	1.8	9.3	13.0	20
CPG42438-B	208-230/60/1	9.9	54.0	1/4	1.8	1/4	1.8	13.5	17	25
CPG42451-B	208-230/60/1	9.9	54.0	1/4	1.8	1/4	1.8	13.5	17	25
CPG42464-B	208-230/60/1	9.9	54.0	1/4	1.8	1/4	1.8	13.5	17	25
CPG43051-B	208-230/60/1	10.6	54.0	1/3	2.3	1/4	1.8	20	24	30
CPG43064-B	208-230/60/1	10.6	54.0	1/3	2.3	1/4	1.8	20	24	30



PERFORMANCE DATA

MODEL	COOLING BTUH	HEATING INPUT	HEATING OUTPUT*	EER (outside temp.)		AFUE	SHIP WT.
				82°	95°		
CPG41238-BT	12,000	38,000	30,000	11.0	9.0	80%	315
CPG41838-B	18,000	38,000	30,000	11.0	9.0	80%	325
CPG41851-B	18,000	51,000	40,000	11.0	9.0	80%	325
CPG41864-B	18,000	64,000	51,000	11.0	9.0	80%	325
CPG42438-B	24,000	38,000	30,000	11.0	9.0	80%	350
CPG42451-B	24,000	51,000	40,000	11.0	9.0	80%	350
CPG42464-B	24,000	64,000	51,000	11.0	9.0	80%	350
CPG43051-B	27,500	51,000	40,000	11.0	9.0	80%	360
CPG46064-B	27,500	64,000	51,000	11.0	9.0	80%	360

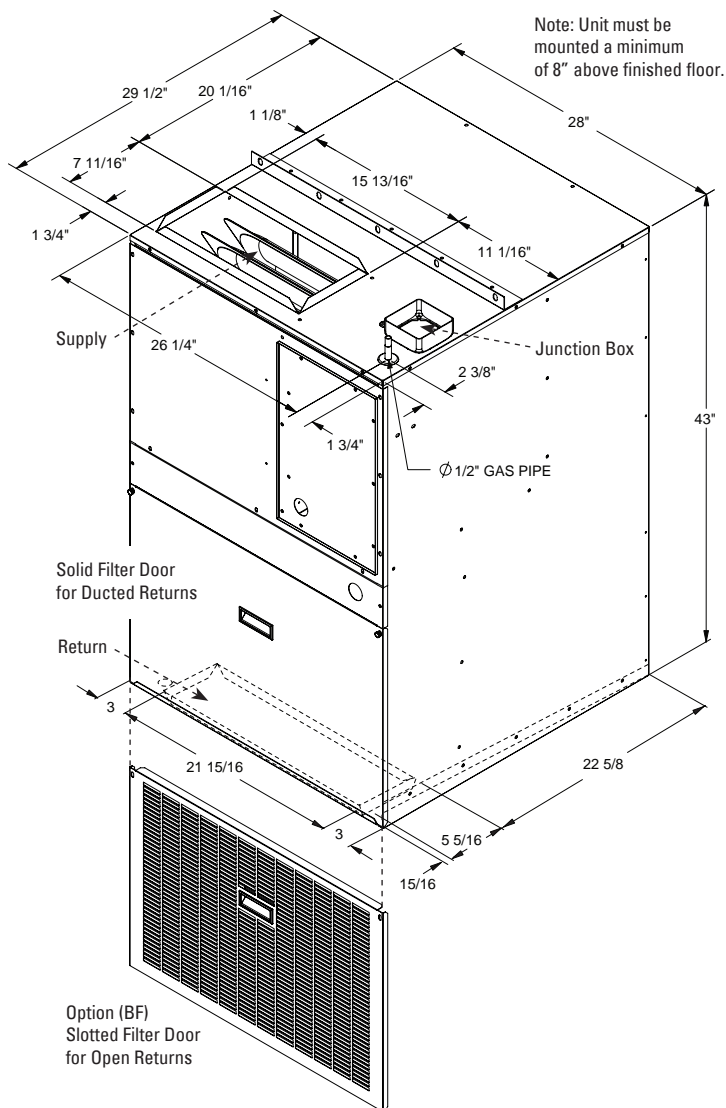
* Can be derated.

OPTIONAL ACCESSORIES

CPWS	WALL SLEEVE (UNASSEMBLED)
CPWSA	WALL SLEEVE ADAPTOR (UNASSEMBLED)
CPLG	ARCHITECTURAL LOUVER GRILLE
CPLG-S	ARCHITECTURAL LOUVER SLEEVE GRILLE
CPLG-P	ARCHITECTURAL LOUVER GRILLE (PAINTED)
CPLG-SP	ARCHITECTURAL LOUVER SLEEVE GRILLE (PAINTED)
PAINTED LOUVER	STAMPED GRILLE (PAINTED)
-BF (CALL FOR DETAILS)	SLOTTED FILTER DOOR
-BD (CALL FOR DETAILS)	SECONDARY DRAIN PAN
-BP (CALL FOR DETAILS)	OMITED STAMPED LOUVER AND GRILLE
-BB (CALL FOR DETAILS)	COMBINATION OF (-BD) AND (-BP) SEE ABOVE CONSULT FACTORY FOR OTHER COMBINATIONS
LP GAS LIT (30 MBH)	14208343 FOR 30 MBH OUTPUT
LP GAS LIT (40 MBH)	14208344 FOR 40 MBH OUTPUT
LP GAS LIT (51 MBH)	14208345 FOR 51 MBH OUTPUT

Note: All specifications are subject to change without notice.

National Comfort Products offers Architectural Louver Grilles for all models. Outdoor grilles provided by others must be approved by National Comfort Products to maintain unit performance and warranty coverage. See Architectural Louver Grilles Specification Sheet for more details.



A Division of National Refrigeration and Air Conditioning Products, Inc.
539 Dunksferry Road • Bensalem, PA 19020
(800) 523-7138 • Phone (215) 244-1400
Fax (215) 639-1674
www.nationalcomfortproducts.com