



**NATIONAL
COMFORT
PRODUCTS**

HEATING & A/C EQUIPMENT

Thru-the-Wall Comfort for all types of Multi-Family Construction

Thru the Wall Split System Submittal Data

For Approval

Project:

Purchaser:

Date:

**NATIONAL
COMFORT
PRODUCTS**

HEATING & A/C EQUIPMENT

National Comfort Products

A Division of National Refrigeration and Air Conditioning Products, Inc.

539 Dunksferry Road • Bensalem, PA 19020-5908

(800) 523-7138

www.nationalcomfortproducts.com

Go Thru-the-Wall

NCP Condensing Unit Models

Plan Designation	Quantity	Model	Description	Page
		NCP4181000B-**	1000 Series R410A 1.5 ton, Thru-the-Wall 208-230/1/60 12.5 SEER2*	5
		NCP4241000B-**	1000 Series R410A 2.0 ton, Thru-the-Wall 208-230/1/60 12.5 SEER2*	5
		NCP4301000B-**	1000 Series R410A 2.5 ton, Thru-the-Wall 208-230/1/60 12 SEER2	5
		NCP4183000B-**	3000 Series R410A 1.5 ton, Thru-the-Wall 208-230/1/60 13.0 SEER2*	6
		NCP4243000B-**	3000 Series R410A 2.0 ton, Thru-the-Wall 208-230/1/60 13 SEER2*	6
		NCP4303000B-**	3000 Series R410A 2.5 ton, Thru-the-Wall 208-230/1/60 12 SEER2*	6
		NCP4184000B-**	4000 Series R410A 1.5 ton, Thru-the-Wall 208-230/1/60 12.50 SEER2*	7
		NCP4244000B-**	4000 Series R410A 2.0 ton, Thru-the-Wall 208-230/1/60 12.50 SEER2*	7
		NCP4185000B-**	5000 Series R410A 1.5 ton, Thru-the-Wall 208-230/1/60 14 SEER2*	8
		NCP4245000B-**	5000 Series R410A 2.0 ton, Thru-the-Wall 208-230/1/60 14 SEER2*	8
		NCP4305000B-**	5000 Series R410A 2.5 ton, Thru-the-Wall 208-230/1/60 13.5 SEER2*	8

*When matched with NAH4**MF Air Handlers

NHP Heat Pump Models

Plan Designation	Quantity	Model	Description	Page
		NHP4183000B-**	3000 Series R410A 1.5 ton, Thru-the-Wall Heat Pump 208-230/1/60 12 SEER2*	9
		NHP4243000B-**	3000 Series R410A 2.0 ton, Thru-the-Wall Heat Pump 208-230/1/60 12 SEER2*	9
		NHP4185000B-**	5000 Series R410A 1.5 ton, Thru-the-Wall Heat Pump 208-230/1/60 13.5 SEER2*	10
		NHP4245000B-**	5000 Series R410A 2.0 ton, Thru-the-Wall Heat Pump 208-230/1/60 13.5 SEER2*	10
		NHP4305000B-**	5000 Series R410A 2.5 ton, Thru-the-Wall Heat Pump 208-230/1/60 12.5 SEER2*	10

*When matched with NAH4**MF Air Handlers

Air Handler Models

Plan Designation	Quantity	Model	Description	Page
		NAH424MFA-L*	2 Ton Multi-Family Style Air Handler w/ Left Return 208/230/1/60	11
		NAH424MFA-R*	2 Ton Multi-Family Style Air Handler w/ Right Return 208/230/1/60	11
		NAH430MFA-L*	2.5 Ton Multi-Family Style Air Handler w/ Left Return 208/230/1/60	11
		NAH430MFA-R*	2.5 Ton Multi-Family Style Air Handler w/ Right Return 208/230/1/60	11

Electric Heat Kit Options

Plan Designation	Quantity	Model	Description	Page
		CPEHK-03-A	3 kW Field Installed Electric Heat Kit	12
		CPEHK-05-A	5 kW Field Installed Electric Heat Kit	12
		CPEHK-07-A	7 kW Field Installed Electric Heat Kit	12
		CPEHK-10-A	10 kW Field Installed Electric Heat Kit	12
		CPEHK-15-A	15 kW Field Installed Electric Heat Kit	12

NCC Cased Coil Models

Plan Designation	Quantity	Model	Description	Page
		NCC418AA-1	1.5 Ton Cased Coil w/ TXV	13
		NCC424AA-1	2 Ton Cased Coil w/ TXV	13
		NCC430AA-1	2.5 Ton Cased Coil w/ TXV	13

Project:

Options

Plan Designation	Quantity	Part No.	Description	Page
		1000-WSD-12	Wall Sleeve, Dimensions 26 7/8" W x 29 5/8" H Rough in at 27 3/8" W x 30 1/8" H	14
		3000-WSD-12	Wall Sleeve, 24 7/8" W x 33" H Rough in at 25 3/8" W x 33 1/2" H	14
		4000-WSD-12	Wall Sleeve, 30 5/8" W x 24" H Rough in at 31 1/8" W x 24 1/2" H	14
		5000-WSD-12	Wall Sleeve, 28" W x 39 7/8" H Rough in at 28 1/2" W x 40 3/8" H	14
		14269035	1000 Series Anodized Aluminum Architectural Louver Grille	15
		14269036	3000 Series Anodized Aluminum Architectural Louver Grille	15
		14269037	4000 Series Anodized Aluminum Architectural Louver Grille	16
		14269038	5000 Series Anodized Aluminum Architectural Louver Grille	16
		14269035-P	1000 Series Painted Architectural Louver Grille	15
		14269036-P	3000 Series Painted Architectural Louver Grille	15
		14269037-P	4000 Series Painted Architectural Louver Grille	16
		14269038-P	5000 Series Painted Architectural Louver Grille	16
		14269035-S	1000 Series Anodized Aluminum Architectural Louver Grille to fit sleeve	17
		14269036-S	3000 Series Anodized Aluminum Architectural Louver Grille to fit sleeve	17
		14269037-S	4000 Series Anodized Aluminum Architectural Louver Grille to fit sleeve	18
		14269038-S	5000 Series Anodized Aluminum Architectural Louver Grille to fit sleeve	18
		14269035-SP	1000 Series Painted Architectural Louver Grille to fit sleeve	17
		14269036-SP	3000 Series Painted Architectural Louver Grille to fit sleeve	17
		14269037-SP	4000 Series Painted Architectural Louver Grille to fit sleeve	18
		14269038-SP	5000 Series Painted Architectural Louver Grille to fit sleeve	18

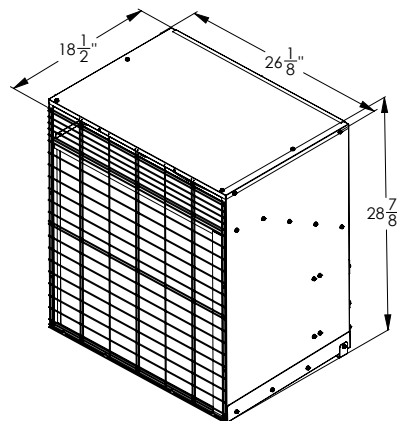
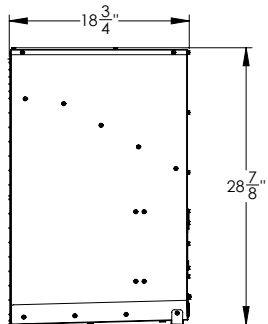
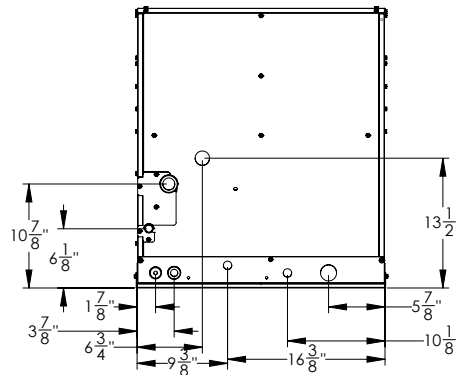
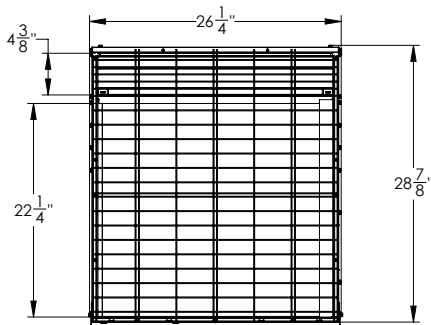
Project:

NCP 1000 SERIES-Condensing Unit

Performance Data				
Models	Rated Capacity (Btu/h)	Dimensions	Efficiency Ratings	Shipping Weight
NCP4181000B-**	18,000	26 1/4" W x 28 5/8" H x 18 1/2" D	12.5 SEER2*	160 lbs
NCP4241000B-**	22,600	26 1/4" W x 28 5/8" H x 18 1/2" D	12.5 SEER2*	165 lbs
NCP4301000B-**	26,400	26 1/4" W x 28 5/8" H x 18 1/2" D	12 SEER2*	170 lbs

*When matched with NAH4**MF Air Handlers

Electrical Data				
All Units 208/230-1-60Hz				
Models	Compressor		MCA	MOP
	RLA	LRA		
NCP4181000B-**	10.3	45.7	14.2	20
NCP4241000B-**	11.7	59.5	15.9	25
NCP4301000B-**	12.8	65	17.8	30
Cond. Fan Motor	418/424	1/4 HP, 1600 RPM, 1.3 FLA		
	430	1/5 HP, 1650 RPM, 1.8 FLA		



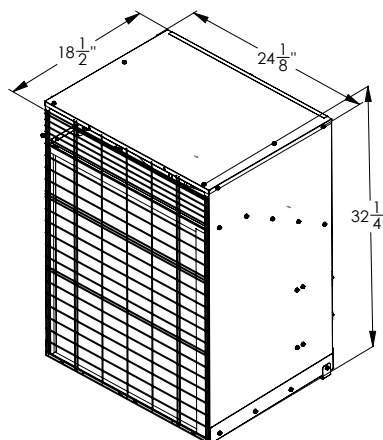
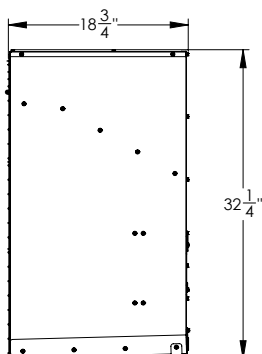
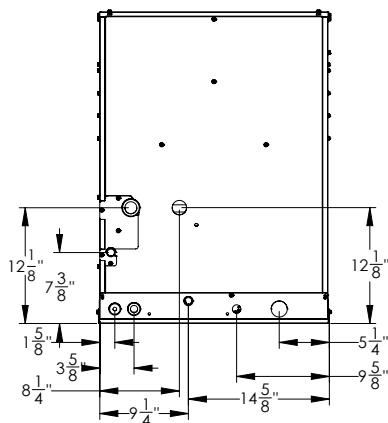
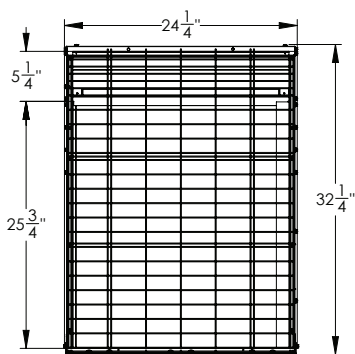
Note: Some dimensions that are shown in these drawings are measured between the edges of screw heads.

NCP 3000 SERIES-Condensing Unit

Performance Data				
Models	Rated Capacity (Btu/h)	Dimensions	Efficiency Ratings	Shipping Weight
NCP4183000B-**	18,000	24 1/8" W x 32" H x 18 1/2" D	13 SEER2*	160 lbs
NCP4243000B-**	22,600	24 1/8" W x 32" H x 18 1/2" D	13 SEER2*	165 lbs
NCP4303000B-**	26,800	24 1/8" W x 32" H x 18 1/2" D	12 SEER2*	170 lbs

*When matched with NAH4**MF Air Handlers

Electrical Data				
All Units 208/230-1-60Hz				
Models	Compressor		MCA	MOP
	RLA	LRA		
NCP4183000B-**	10.3	45.7	14.2	20
NCP4243000B-**	11.7	59.5	15.9	25
NCP4303000B-**	12.8	65	17.8	30
Cond. Fan Motor	418/424	1/4 HP, 1600 RPM, 1.3 FLA		
	430	1/5 HP, 1650 RPM, 1.8 FLA		



Note: Some dimensions that are shown in these drawings are measured between the edges of screw heads.

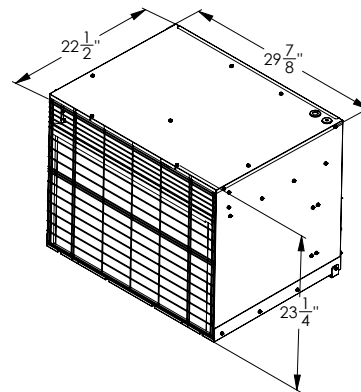
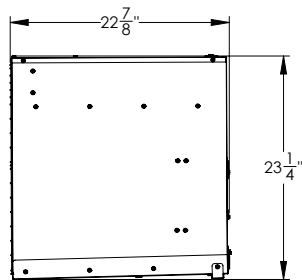
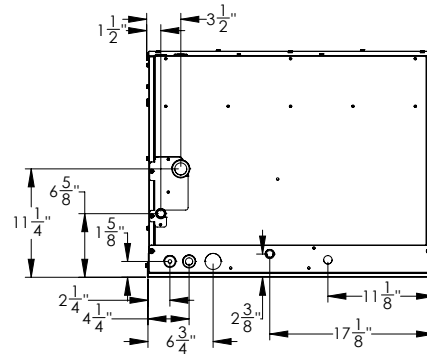
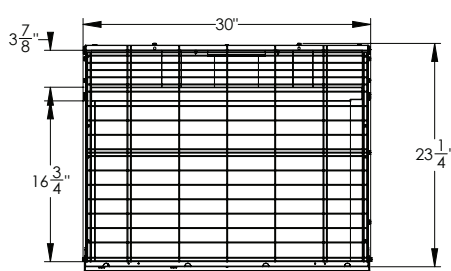
Project:

NCP 4000 SERIES-Condensing Unit

Performance Data				
Models	Rated Capacity (Btu/h)	Dimensions	Efficiency Ratings	Shipping Weight
NCP4184000B-**	18,000	30" W x 23" H x 22 1/2" D	12.5 SEER2*	160 lbs
NCP4244000B-**	23,000	30" W x 23" H x 22 1/2" D	12.5 SEER2*	165 lbs

*When matched with NAH4**MF Air Handlers

Electrical Data				
All Units 208/230-1-60Hz				
Models	Compressor		MCA	MOP
	RLA	LRA		
NCP4184000B-**	10.3	45.7	14.7	20
NCP4244000B-**	11.7	59.5	16.4	25
Cond. Fan Motor		1/5 HP, 1650 RPM, 1.8 FLA		



Note: Some dimensions that are shown in these drawings are measured between the edges of screw heads.

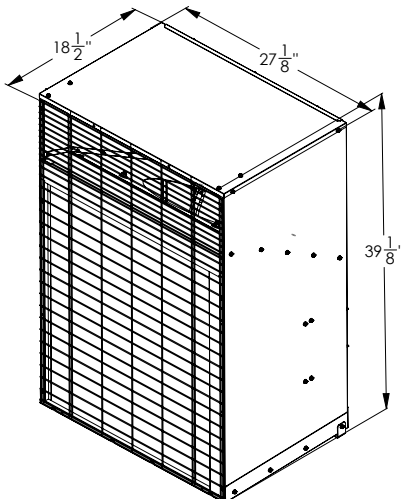
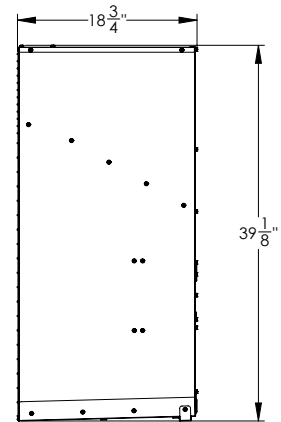
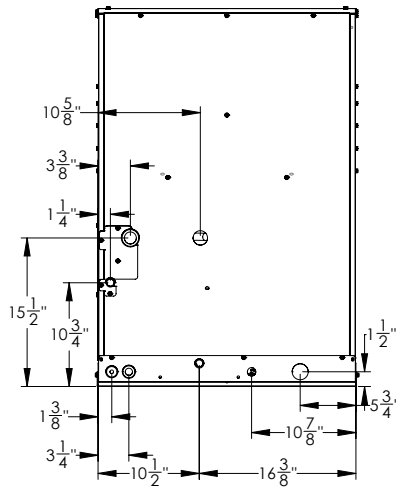
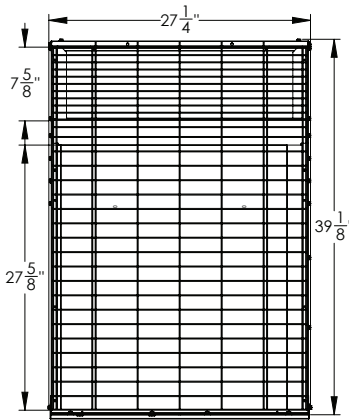
Project:

NCP 5000 SERIES-Condensing Unit

Performance Data				
Models	Rated Capacity (Btu/h)	Dimensions	Efficiency Ratings	Shipping Weight
NCP4185000B-**	18,500	26 7/8" W x 38 7/8" H x 18 1/2" D	14 SEER2*	170 lbs
NCP4245000B-**	24,000	26 7/8" W x 38 7/8" H x 18 1/2" D	14 SEER2*	185 lbs
NCP4305000B-**	28,000	26 7/8" W x 38 7/8" H x 18 1/2" D	13.5 SEER2*	190 lbs

*When matched with NAH4**-MF Air Handlers

Electrical Data				
All Units 208/230-1-60Hz				
Models	Compressor		MCA	MOP
	RLA	LRA		
NCP4185000B-**	10.3	45.7	14.7	20
NCP4245000B-**	11.5	59.5	16.2	25
NCP4305000B-**	14.1	67.9	19.4	30
Cond. Fan Motor		1/5 HP, 1650 RPM, 1.8 FLA		



Note: Some dimensions that are shown in these drawings are measured between the edges of screw heads.

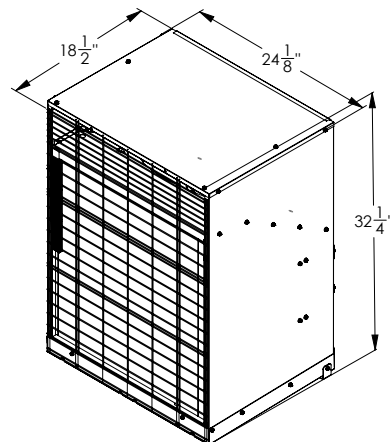
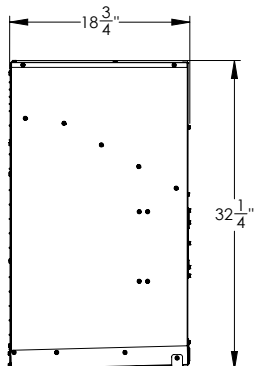
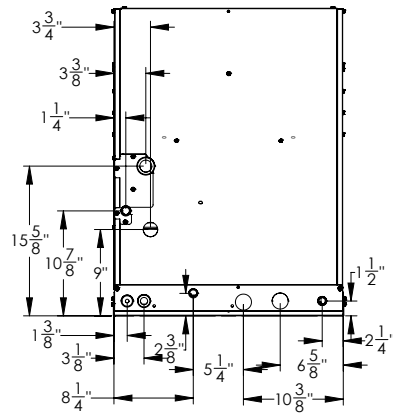
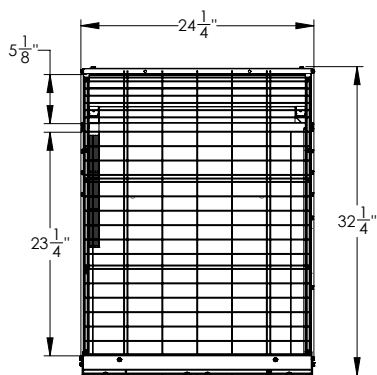
Project:

NHP 3000 SERIES-Heat Pump

Performance Data					
Models	Rated Capacity (Btu/h)	Rated Heating Capacity (Btu/h)	Dimensions	Efficiency Ratings	Shipping Weight
NHP4183000B-**	17,600	@ 47°F - 15,200	24 1/8" W x 32" H x 18 1/2" D	12 SEER2* 6.5 HSPF2*	170 lbs
		@ 35°F - 12,100			
		@ 17°F - 9,200			
NHP4243000B-**	22,200	@ 47°F - 19,200	24 1/8" W x 32" H x 18 1/2" D	12 SEER2* 6.5 HSPF2*	175 lbs
		@ 35°F - 15,200			
		@ 17°F - 11,400			

*When matched with NAH4**MF Air Handlers

Electrical Data				
All Units 208/230-1-60Hz				
Models	Compressor		MCA	MOP
	RLA	LRA		
NHP4183000B-**	10.3	45.7	14.2	20
NHP4243000B-**	11.7	59.5	15.7	25
Cond. Fan Motor		1/4 HP, 1600 RPM, 1.3 FLA		



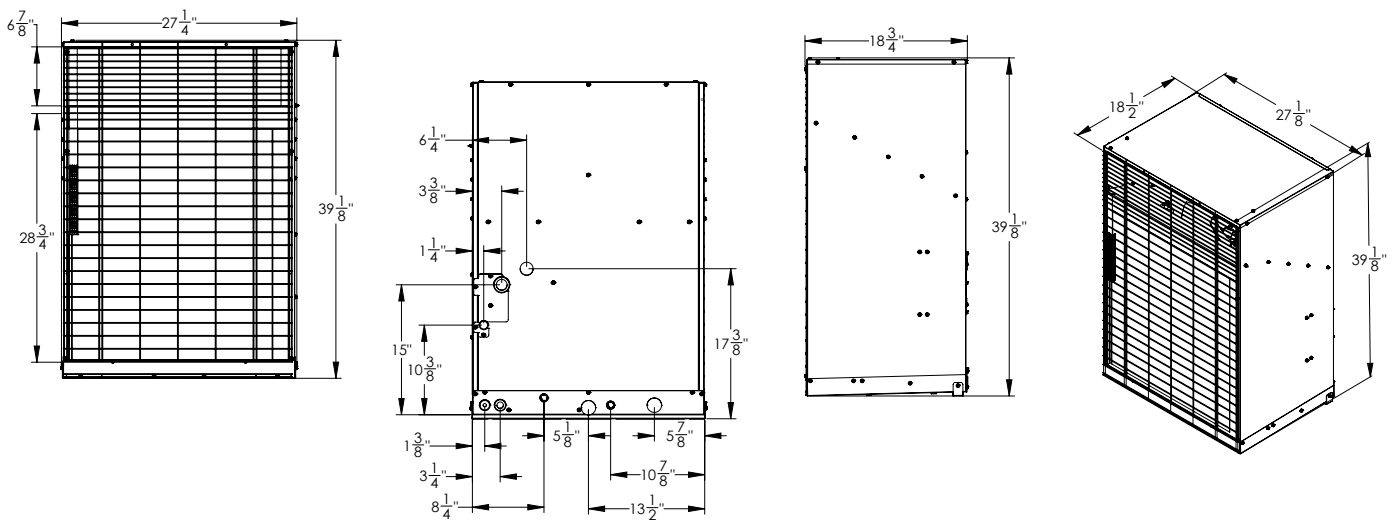
Note: Some dimensions that are shown in these drawings are measured between the edges of screw heads.

NHP 5000 SERIES-Heat Pump

Performance Data					
Models	Rated Capacity (Btu/h)	Rated Heating Capacity (Btu/h)	Dimensions	Efficiency Ratings	Shipping Weight
NHP4185000B-**	17,800	@ 47°F - 15,800	26 7/8" W x 38 7/8" H x 18 1/2" D	13.5 SEER2* 7.0 HSPF2*	190 lbs
		@ 35°F - 13,000			
		@ 17°F - 9,700			
NHP4245000B-**	23,000	@ 47°F - 20,800	26 7/8" W x 38 7/8" H x 18 1/2" D	13.5 SEER2* 7.0 HSPF2*	200 lbs
		@ 35°F - 17,200			
		@ 17°F - 13,100			
NHP4305000B-**	26,800	@ 47°F - 23,800	26 7/8" W x 38 7/8" H x 18 1/2" D	12.5 SEER2* 7.0 HSPF2*	205 lbs
		@ 35°F - 19,400			
		@ 17°F - 14,800			

*When matched with NAH4**MF Air Handlers

Electrical Data				
All Units 208/230-1-60Hz				
Models	Compressor		MCA	MOP
	RLA	LRA		
NHP4185000B-**	10.3	45.7	14.7	20
NHP4245000B-**	11.5	59.5	16.2	25
NHP4305000B-**	12.8	65	17.8	30
Cond. Fan Motor	1/5 HP, 1650 RPM, 1.8 FLA			



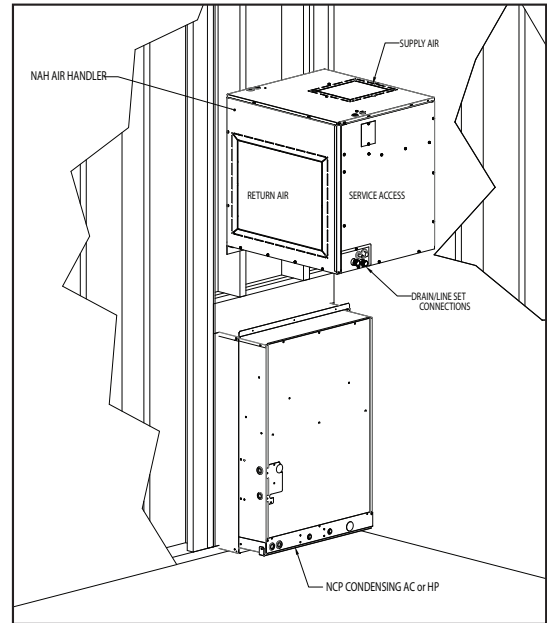
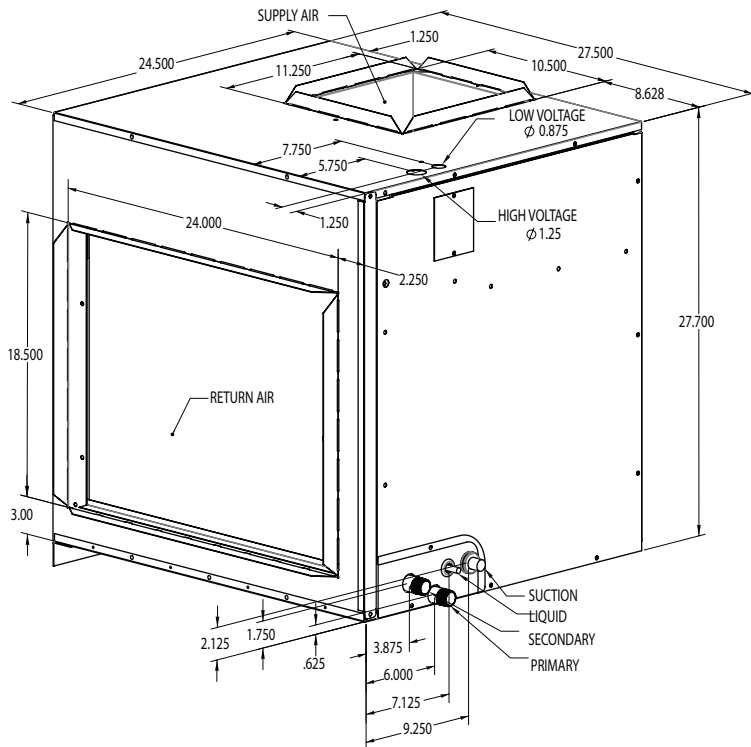
Note: Some dimensions that are shown in these drawings are measured between the edges of screw heads.

Multi-Family Style Air Handler NAH-MF Series

Performance Data										
All units 208/230V 1 Ph 60 Hz										
Model	Nominal Capacity (Btu/h)	Size (tons)	Nominal Air Flow ¹ (CFM)		Motor HP	Motor RPM	FLA	MCA	MOP	Filter Size
NAH424MFA-L*	24,000	2 Ton	700	1080	1/2	1200	3.9	5	15	24" x 20"
NAH424MFA-R*										
NAH430MFA-L*	30,000	2.5 Ton	700	1080	1/2	1200	3.9	5	15	24" x 20"
NAH430MFA-R*										
Flow Control	Bi-flow Adjustable TXV						Line Size	3/8" & 3/4"		

1. The nominal airflow range is given at 0.1" ESP

Dimensional Data						
Model	Dimensions inch (mm)					Shipping Weight
	Height	Width	Depth	Flow Control	Line Sizes	
NAH424MFA-L*	27-2/3"	24-1/2"	27-1/2"	Adjustable TXV with Internal check valve	3/8" Liquid 3/4" Suction	140 lbs
NAH424MFA-R*						
NAH430MFA-L*						145 lbs
NAH430MFA-R*						





HEATING & A/C EQUIPMENT

Project:

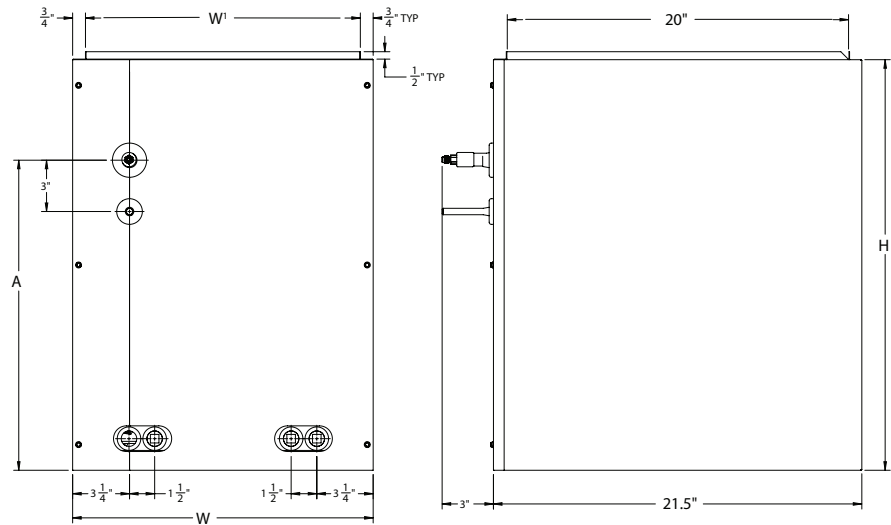
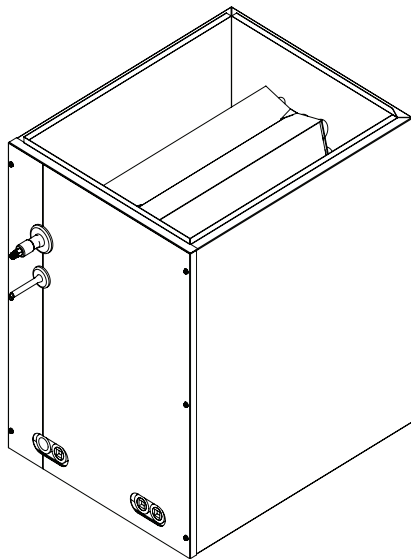
Electric Heat Kit Option

Electrical Data wth NAH-MF Series												
Blower Motor Amps		Heat Option	Heating Btuh		Heating kW		Heater Amps		MCA (Min. Circuit Ampacity)		Max Fuse or Breaker Size	
230V	208V		230V	208V	230V	208V	230V	208V	230V	208V	230V	208V
3.8	3.9	None	0	0	0	0	0	0	5	5	15	15
		CPEHK03 (3kW)	8,900	10,900	2.62	3.20	12.60	13.91	20.6	22.1	25	25
		CPEHK05 (5kW)	13,100	16,000	3.83	4.68	18.41	20.35	27.9	30.2	30	35
		CPEHK07 (7kW)	18,400	22,400	5.37	6.58	25.82	28.61	37.2	40.5	40	45
		CPEHK10 (10kW)	26,000	32,000	7.64	9.35	36.73	40.65	50.8	55.6	60	60
		CPEHK15 (15kW)	39,200	47,800	11.47	14.02	36.76	40.64	49.2	54.0	50	60
						18.38	20.32	26.2	28.6	30	30	

Project:

Cased Coil NCC Series - R410A Models

Dimensional Data										
Model	Size (tons)	Flow Control	Liquid Line	Suction Line	Cabinet Width (W)	Cabinet Depth	Supply Opening Width (W')	Supply Opening Depth	Cabinet Height (H)	Shipping Weight
NCC418AA-1	1.5 Tons	Adj. TXV	3/8"	3/4"	17.50"	21.50"	16"	20"	20.50"	56 lbs.
NCC424AA-1	2 Tons				17.50"	21.50"	16"	20"	24.50"	62 lbs.
NCC430AA-1	2.5 Tons				21.00"	21.50"	19.50"	20"	28.50"	75 lbs.



Project:

Wall Sleeve

1000 -WSD-12

26 $\frac{7}{8}$ " W x 29 $\frac{5}{8}$ " H

Rough in at 27 $\frac{3}{8}$ " W x 30 $\frac{1}{8}$ " H

3000 -WSD-12

24 $\frac{7}{8}$ " W x 33" H

Rough in at 25 $\frac{3}{8}$ " W x 33 $\frac{1}{2}$ " H

4000 -WSD-12

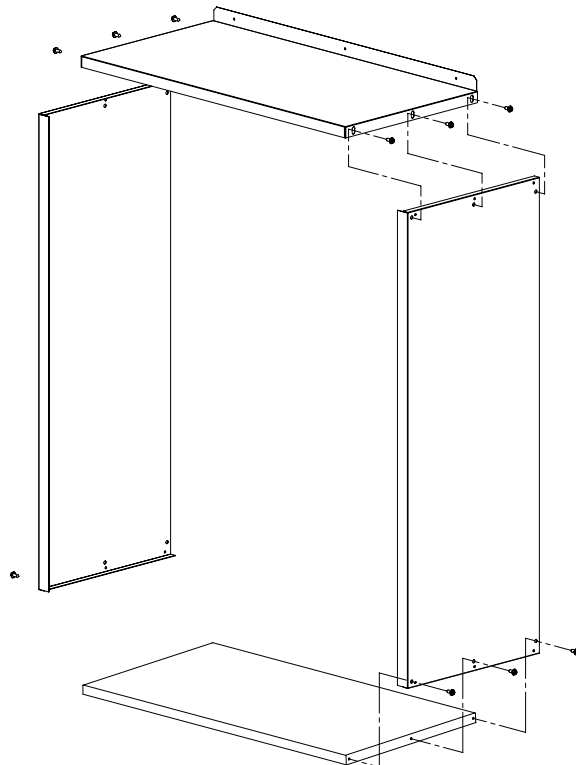
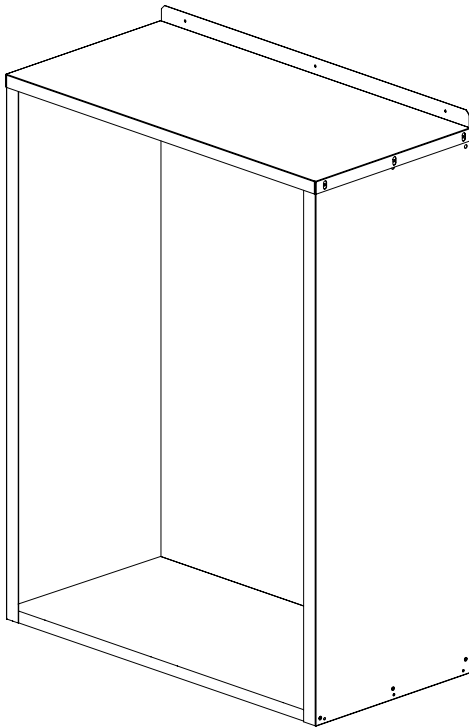
30 $\frac{5}{8}$ " W x 24" H

Rough in at 31 $\frac{1}{8}$ " W x 24 $\frac{1}{2}$ " H

5000 -WSD-12

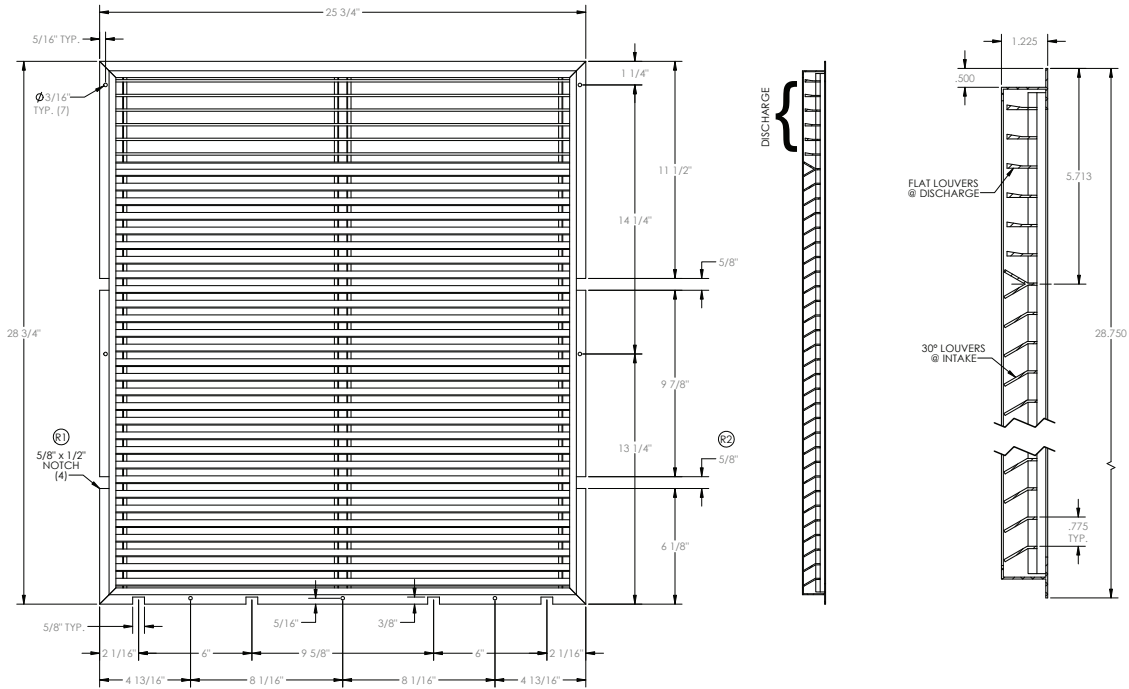
28" W x 39 $\frac{7}{8}$ " H

Rough in at 28 $\frac{1}{2}$ " W x 40 $\frac{3}{8}$ " H

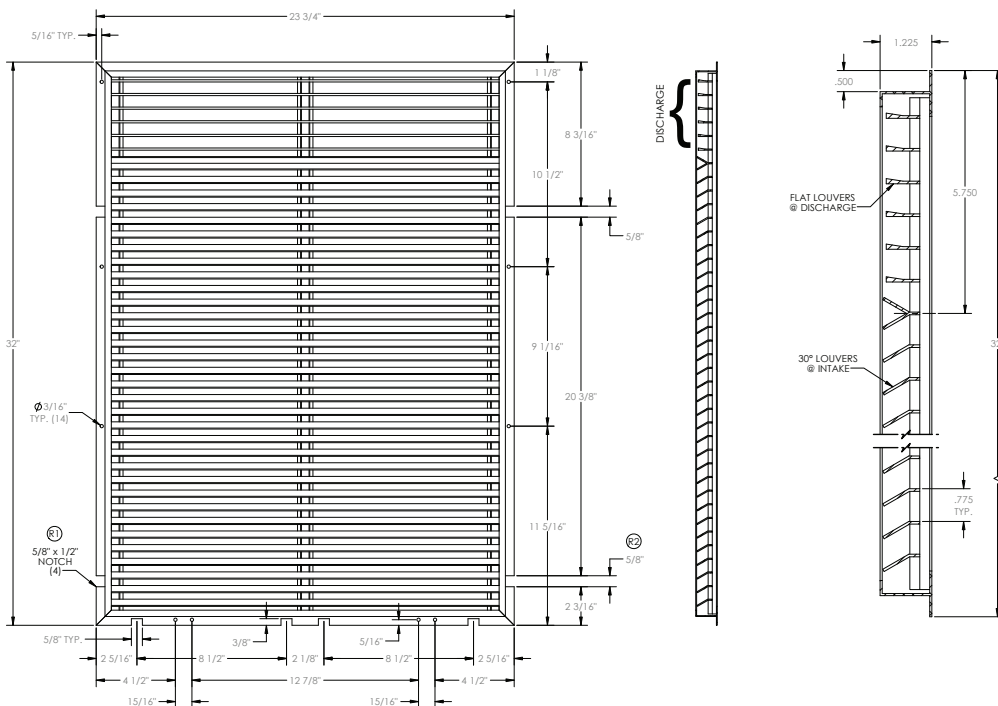


Architectural Louver Grilles

14269035 (1000) (anodized aluminum finish)
14269035-P (1000) (painted finish)



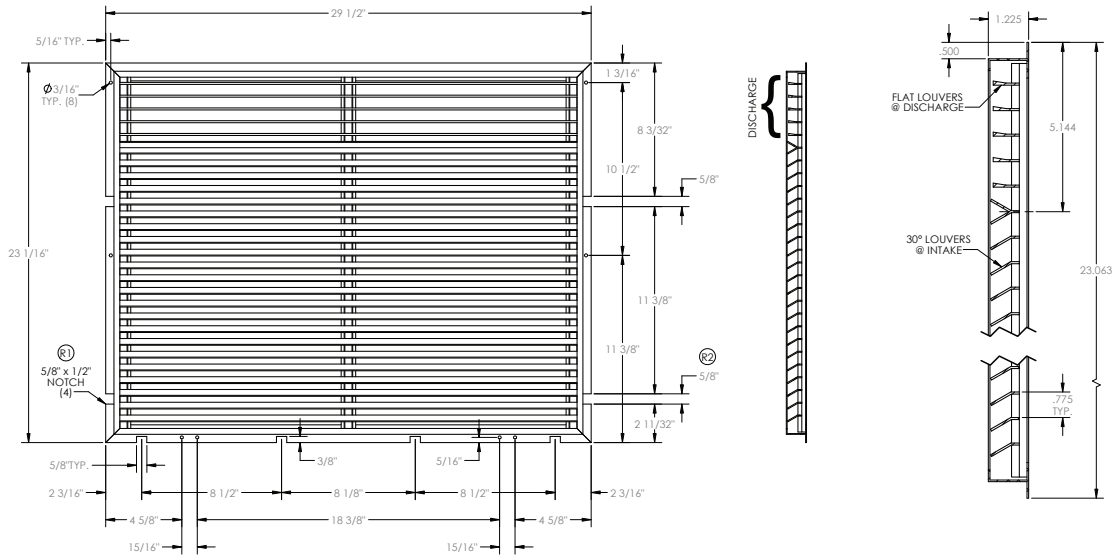
14269036 (3000) (anodized aluminum finish)
14269036-P (3000) (painted finish)



Architectural Louver Grilles

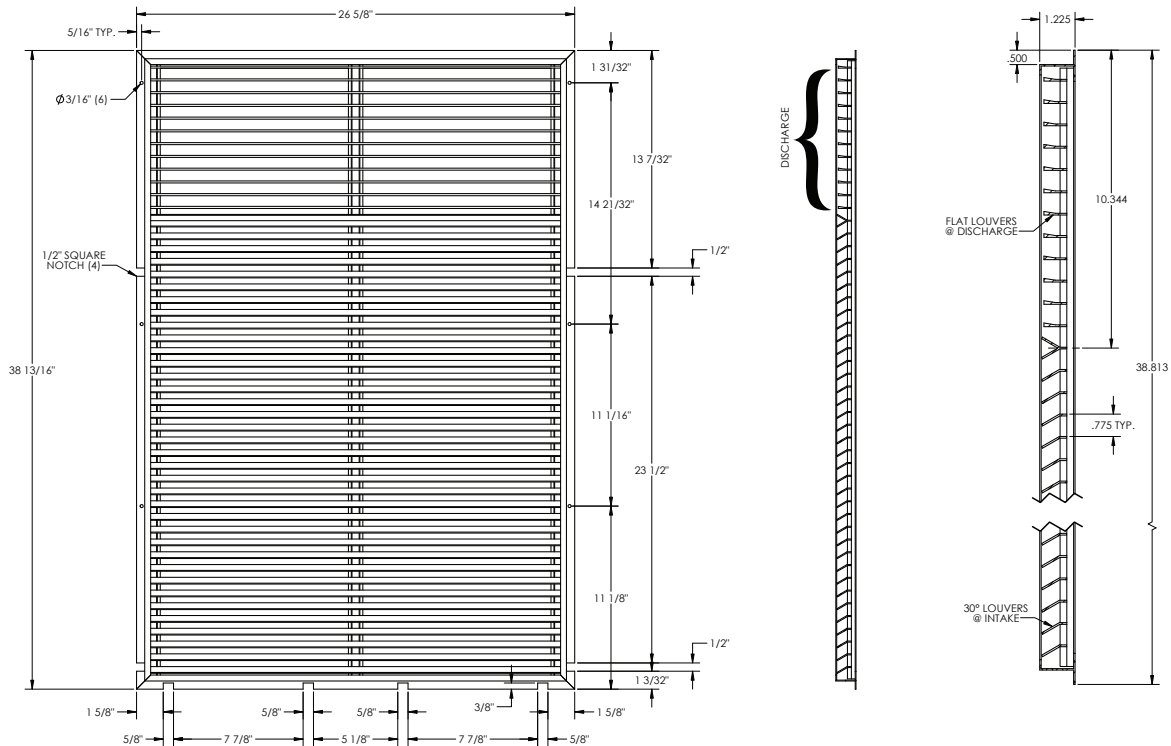
14269037 (4000) (anodized aluminum finish)

14269037-P (4000) (painted finish)



14269038 (5000) (anodized aluminum finish)

14269038-P (5000) (painted finish)

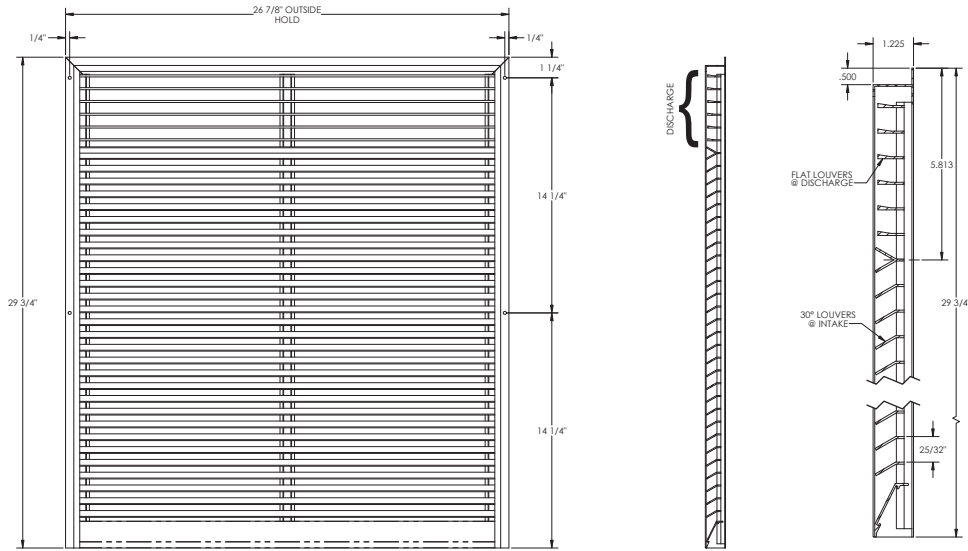


Project:

Architectural Louver Grilles to fit sleeve

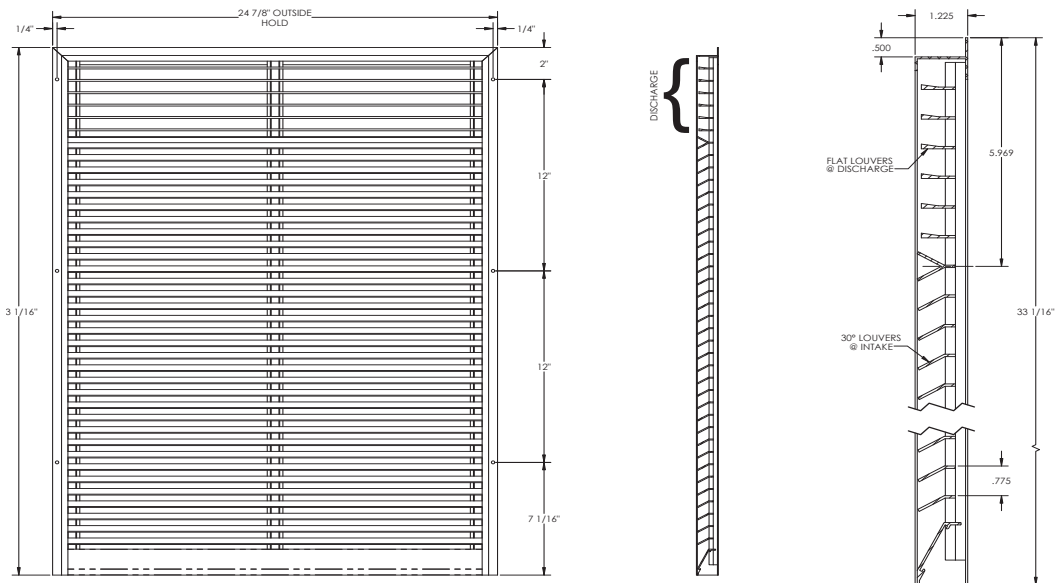
14269035-S (1000) (anodized aluminum finish)

14269035-SP (1000) (painted finish)



14269036-S (3000) (anodized aluminum finish)

14269036-SP (3000) (painted finish)

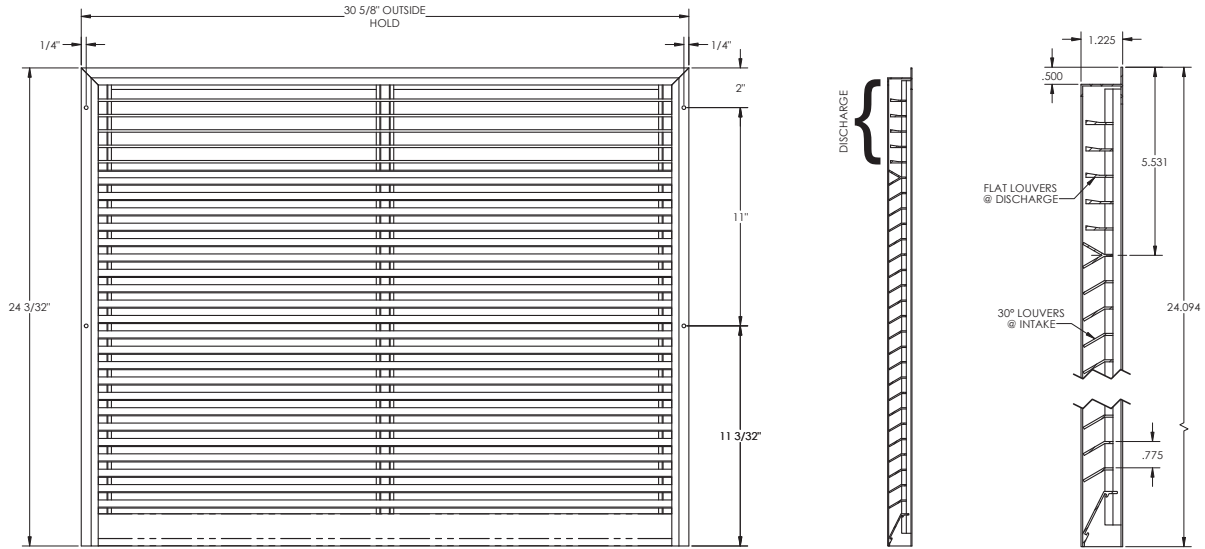


Project:

Architectural Louver Grilles to fit sleeve

14269037-S (4000) (anodized aluminum finish)

14269037-SP (4000) (painted finish)



14269038-S (5000) (anodized aluminum finish)

14269038-SP (5000) (painted)

