



**THRU THE WALL CONDENSING UNITS**  
1000/3000/4000/5000 SERIES

*Go Thru-the-Wall*



## Multi-Family Thru-the-Wall Heating & Cooling

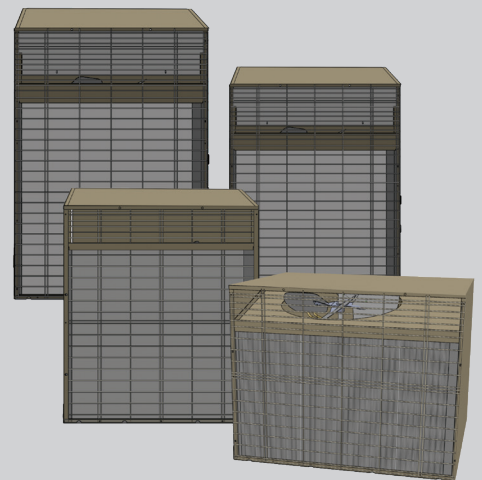
### Features

- Units are compatible with NCP Air Handlers, Coils or certain other air handlers with ECM motors
- Available in 1.5 to 2.5 ton sizes
- Heavy-duty water resistant cabinet
- R-410A high efficiency compressor
- Easy access to condenser fan
- High efficiency condenser fan motor
- High efficiency condenser coil
- Brass services valves

### Why Thru-the Wall?

- Easily serviced in any weather
- Less expensive installations
- Ground clutter elimination
- No theft or vandalism
- Less refrigerant charge
- No roof penetration
- Short copper tube runs
- Separate meter savings
- Better appearance

## THRU THE WALL SPLIT SYSTEM CONDENSING UNITS



**NATIONAL  
COMFORT  
PRODUCTS**

HEATING & A/C EQUIPMENT

### National Comfort Products

*A Division of National Refrigeration and Air Conditioning Products, Inc.*

539 Dunksferry Road • Bensalem, PA 19020-5908  
(800) 523-7138

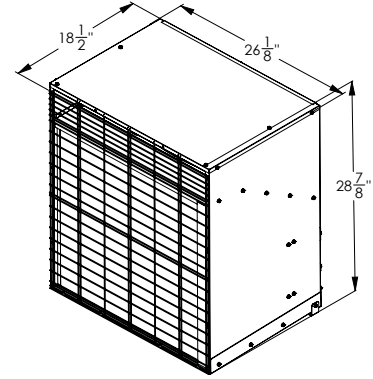
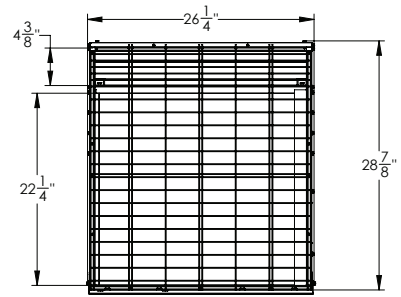
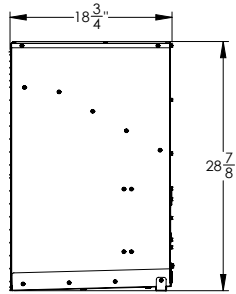
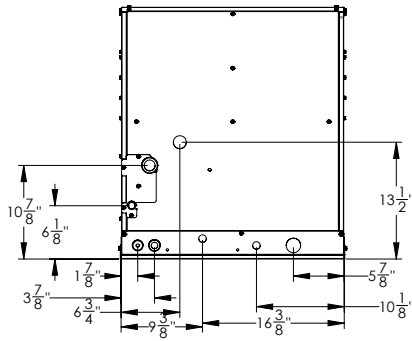
[www.nationalcomfortproducts.com](http://www.nationalcomfortproducts.com)



## 1000 Series w/ matches up to 12.5 SEER2\*

All Units 208/230-1-60Hz					
Model	Shipping weight (lbs)	Compressor		MCA	MOP
		RLA	LRA		
NCP4181000B-**	160	10.3	45.7	14.2	20
NCP4241000B-**	165	11.7	59.5	15.9	25
NCP4301000B-**	170	12.8	65	17.8	30
Cond. Fan Motor		418/424		1/4 HP, 1600 RPM, 1.3 FLA	
		430		1/5 HP, 1650 RPM, 1.8 FLA	
Condenser Coil		3.61 ft2 Face Area, 16 FPI			
Dimensions		26 1/4" W x 28 5/8" H x 18 1/2" D			
Liquid Valve		3/8"	Suction Valve	3/4"	

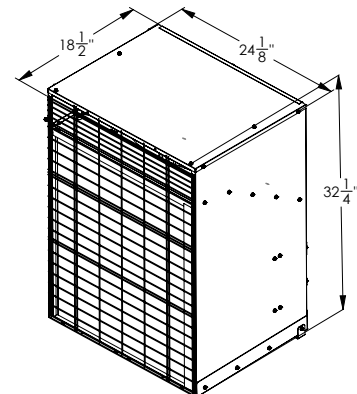
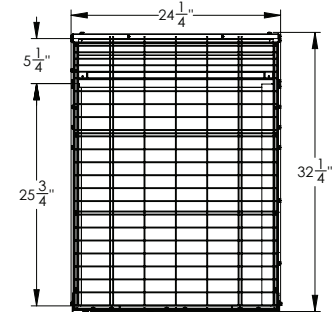
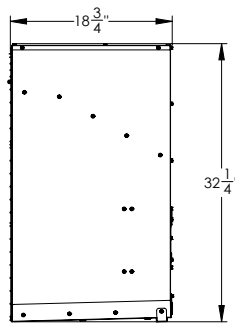
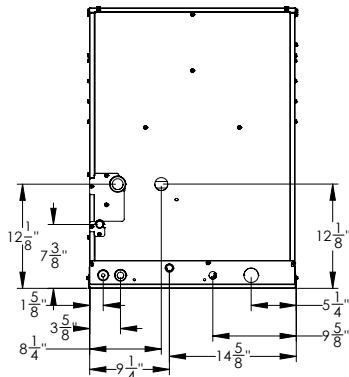
\*When matched with NAH4\*\*MF Air Handler



## 3000 Series w/matches up to 13 SEER2\*

All Units 208/230-1-60Hz					
Model	Shipping Weight (lbs)	Compressor		MCA	MOP
		RLA	LRA		
NCP4183000B-**	160	10.3	45.7	14.2	20
NCP4243000B-**	165	11.7	59.5	15.9	25
NCP4303000B-**	170	12.8	65	17.8	30
Cond. Fan Motor		418/424		1/4 HP, 1600 RPM, 1.3 FLA	
		430		1/5 HP, 1650 RPM, 1.8 FLA	
Condenser Coil		3.77 ft2 Face Area, 16 FPI			
Dimensions		24 1/8" W x 32" H x 18 1/2" D			
Liquid Valve		3/8"	Suction Valve	3/4"	

\*When matched with NAH4\*\*MF Air Handler



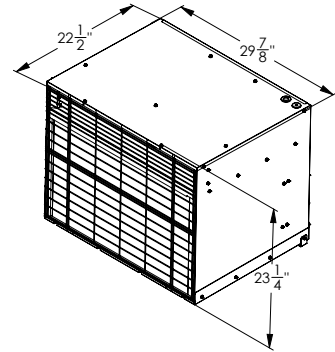
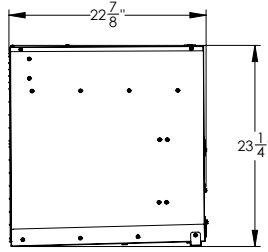
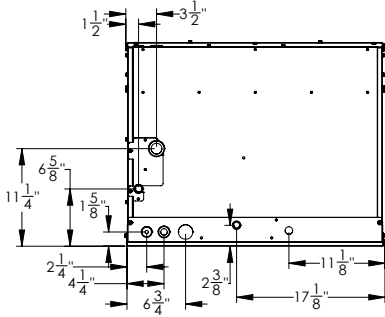
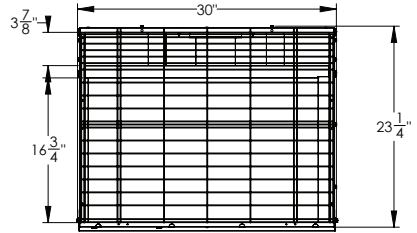
**Note:** Some dimensions that are shown in these drawings are measured between the edges of screw heads.

### 4000 Series w/matches up to 12.5 SEER2\*

All Units 208/230-1-60Hz

Model	Shipping Weight (lbs)	Compressor		MCA	MOP
		RLA	LRA		
NCP4184000B-**	160	10.3	45.7	14.7	20
NCP4244000B-**	170	11.7	59.5	16.4	25
Cond. Fan Motor		1/5 HP, 1650 RPM, 1.8 FLA			
Condenser Coil		3.14 ft2 Face Area, 16 FPI			
Dimensions		30" W x 23" H x 22 1/2" D			
Liquid Valve		3/8"	Suction Valve	3/4"	

\*When matched with NAH4\*\*MF Air Handler

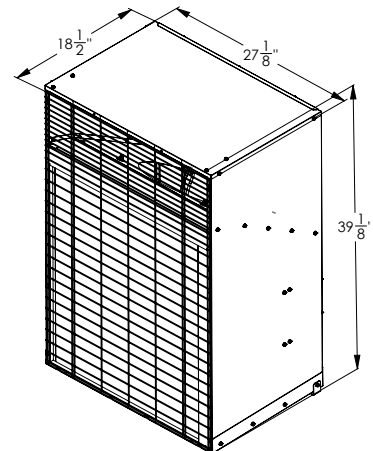
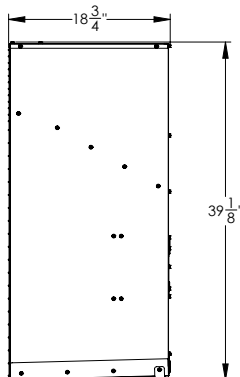
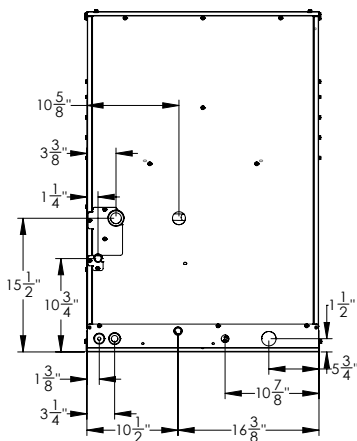
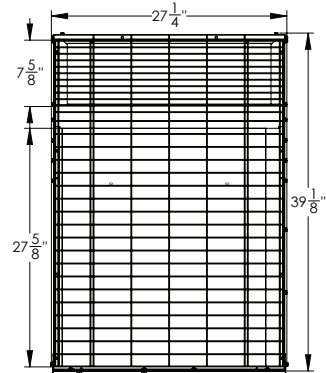


### 5000 Series w/ matches up to 14 SEER2\*

All Units 208/230-1-60Hz

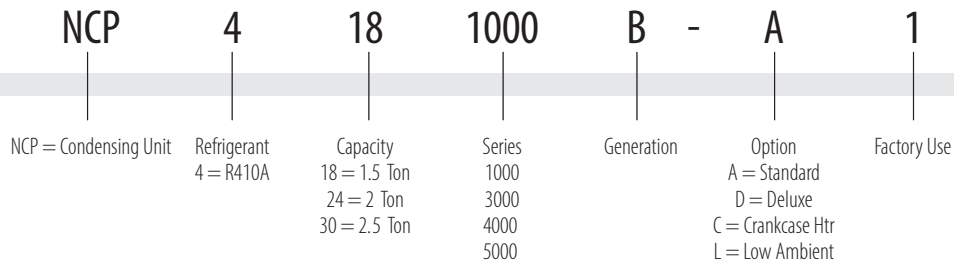
Model	Shipping weight (lbs)	Compressor		MCA	MOP
		RLA	LRA		
NCP4185000B-**	170	10.3	45.7	14.7	20
NCP4245000B-**	185	11.5	59.5	16.2	25
NCP4305000B-**	190	14.1	67.9	19.4	30
Cond. Fan Motor		1/5 HP, 1650 RPM, 1.8 FLA			
Condenser Coil		418		4.59 ft2 Face Area, 16 FPI	
		424/430		4.59 ft2 Face Area, 14 FPI	
Dimensions		26 7/8" W x 38 7/8" H x 18 1/2" D			
Liquid Valve		3/8"	Suction Valve	3/4"	

\*When matched with NAH4\*\*MF Air Handler



**Note:** Some dimensions that are shown in these drawings are measured between the edges of screw heads.

# Nomenclature 2024



Matching Air Handlers						
Outdoor Model	Indoor Model	Rated EER2 <sup>1</sup>	Rated Capacity	Nominal Airflow <sup>2</sup> (SCFM)	SEER2	Replaces
<b>1000 Series</b>						
NCP4181000B-**	NAH424MFA-**	11	18000	600	12.5	Bryant, Carrier, Day & Night, Dunham-Bush, Lennox, Magic Chef, Meyer, Payne, First Co., U.S. A/C (BB)
NCP4241000B-**	NAH424MFA-**	11	22600	790	12.5	
NCP4301000B-**	NAH430MFA-**	11	27000	920	12	
<b>3000 Series</b>						
NCP4183000B-**	NAH424MFA-**	11	18000	600	13	Carrier, Fedders, Dunham-Bush, Lennox, Magic Chef, Meyer, Rheem, First Co., U.S. A/C (AB)
NCP4243000B-**	NAH430MFA-**	11	23000	790	13	
NCP4303000B-**	NAH430MFA-**	11	27000	920	12	
<b>4000 Series</b>						
NCP4184000B-**	NAH424MFA-**	11	18000	600	12.5	Dunham-Bush, Hydro-Therm Space Pack, Lennox, Luxaire York, First Co., U.S. A/C (CB)
NCP4244000B-**	NAH430MFA-**	11	23000	790	12.5	
<b>5000 Series</b>						
NCP4185000B-**	NAH424MFA-**	12	18000	600	14	First Co. (WMU)
NCP4245000B-**	NAH430MFA-**	12	24000	790	14	
NCP4305000B-**	NAH430MFA-**	11.5	28400	920	13.5	

Matching Cased Coils					
Outdoor Model	Indoor Model	Rated EER2 <sup>1</sup>	Rated Capacity	Nominal Airflow <sup>2</sup> (SCFM)	SEER2
<b>1000 Series</b>					
NCP4181000B-**	NCC418AA-*	10.2	18000	620	11.7
NCP4241000B-**	NCC424AA-*	10.5	22600	820	11.7
NCP4301000B-**	NCC430AA-*	10.2	26400	890	11.7
<b>3000 Series</b>					
NCP4183000B-**	NCC418AA-*	10.2	18000	620	11.7
NCP4243000B-**	NCC424AA-*	10.5	22600	820	11.7
NCP4303000B-**	NCC430AA-*	10.2	26800	890	11.7
<b>4000 Series</b>					
NCP4184000B-**	NCC418AA-*	10.5	18000	620	11.7
NCP4244000B-**	NCC424AA-*	10.5	22600	820	11.7
<b>5000 Series</b>					
NCP4185000B-**	NCC418AA-*	11	18500	620	12
NCP4245000B-**	NCC424AA-*	11	24000	820	12
NCP4305000B-**	NCC430AA-*	10.5	28000	920	12



**National Comfort Products**  
A Division of National Refrigeration and Air Conditioning Products, Inc.  
539 Dunksferry Road • Bensalem, PA 19020-5908  
(800) 523-7138  
www.nationalcomfortproducts.com

